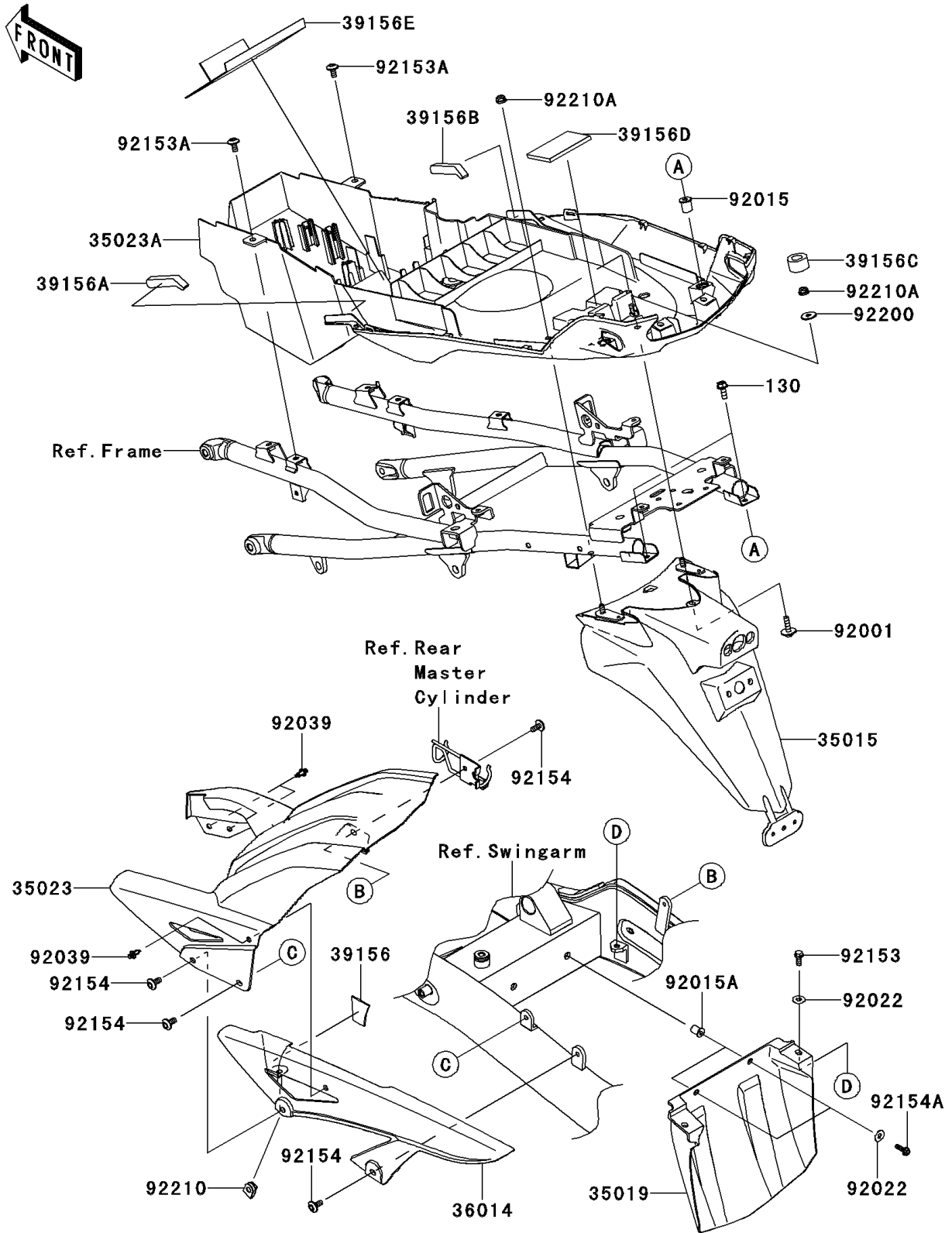


2014 VERSYS® 1000 (European) PARTS DIAGRAM

Rear Fender(s)

F2172



2014 VERSYS® 1000 (European) PARTS LIST

Rear Fender(s)

| ITEM NAME | PART NUMBER | QUANTITY |
|-------------------------------------|-------------|----------|
| BOLT-FLANGED,6X18 (Ref # 130) | 130CA0618 | 2 |
| FLAP-COMP (Ref # 35015) | 35015-0015 | 1 |
| FLAP,RR (Ref # 35019) | 35019-0563 | 1 |
| FENDER-REAR,INNER (Ref # 35023) | 35023-0336 | 1 |
| FENDER-REAR (Ref # 35023A) | 35023-0350 | 1 |
| CASE-CHAIN (Ref # 36014) | 36014-0557 | 1 |
| PAD,CHAIN CASE (Ref # 39156) | 39156-0816 | 1 |
| PAD,RR FENDER,LH (Ref # 39156A) | 39156-0856 | 1 |
| PAD,RR FENDER,RH (Ref # 39156B) | 39156-0857 | 1 |
| PAD,14X33X15 (Ref # 39156C) | 39156-0865 | 1 |
| PAD,45X75X5 (Ref # 39156D) | 39156-0866 | 1 |
| PAD,BATTERY (Ref # 39156E) | 39156-0893 | 1 |
| BOLT,UPSET-WP,6X22 (Ref # 92001) | 92001-1774 | 1 |
| NUT (Ref # 92015) | 92015-1700 | 2 |
| NUT,WELL,5MM (Ref # 92015A) | 92015-1757 | 2 |
| WASHER,6.5X16X1.0 (Ref # 92022) | 92022-1093 | 4 |
| RIVET (Ref # 92039) | 92039-0060 | 3 |
| BOLT (Ref # 92153) | 92153-1805 | 2 |
| BOLT,SOCKET,6X12 (Ref # 92153A) | 92153-1948 | 2 |
| BOLT,SOCKET,6X14 (Ref # 92154) | 92154-0745 | 4 |
| BOLT,FLANGED,5X16 (Ref # 92154A) | 92154-1004 | 2 |
| WASHER,6.5X20X1.6 (Ref # 92200) | 92200-0283 | 1 |
| NUT,6MM (Ref # 92210) | 92210-0277 | 1 |
| NUT,LOCK,FLANGED,6MM (Ref # 92210A) | 92210-0303 | 3 |