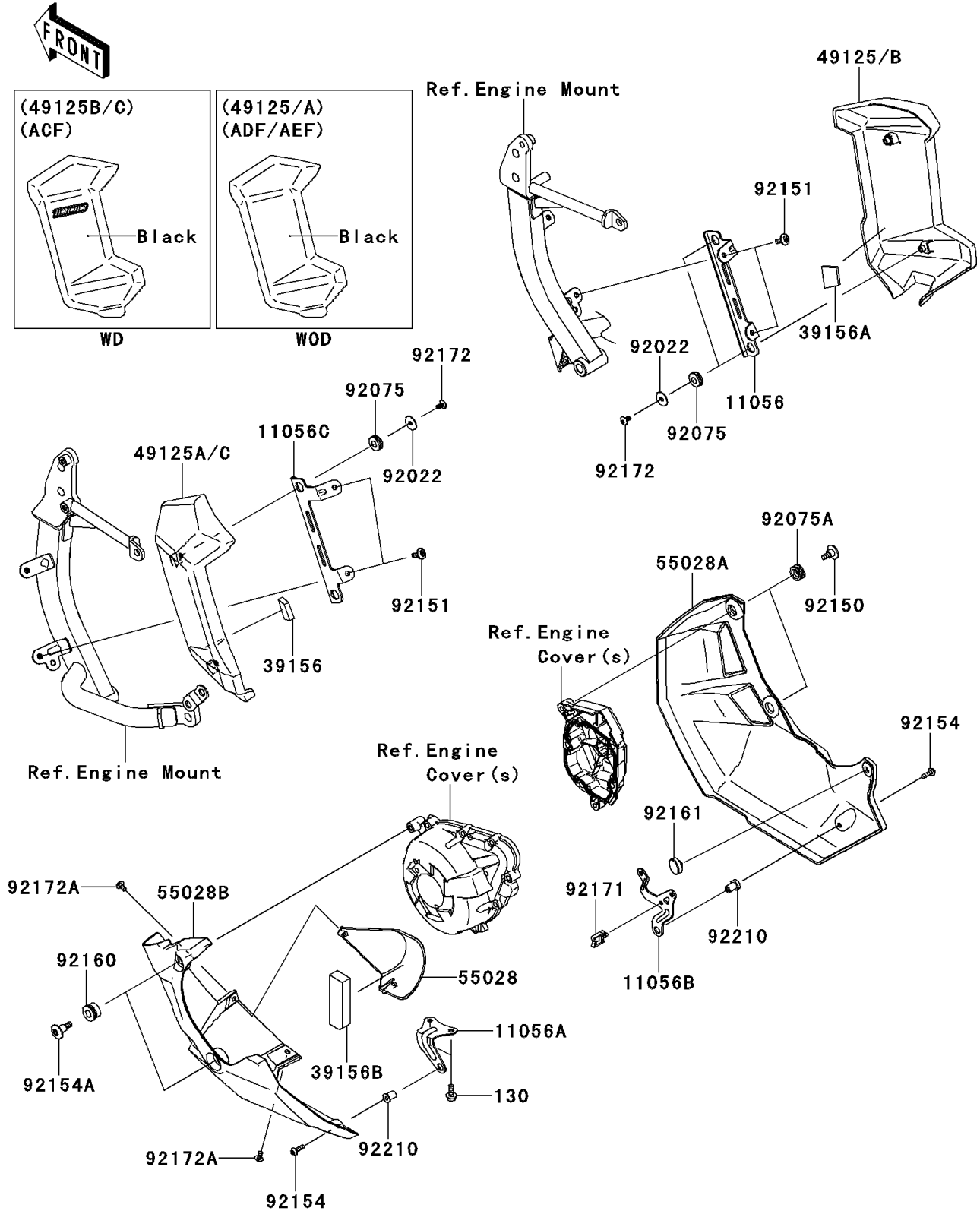


2013 VERSYS® 1000 (European) PARTS DIAGRAM

Cowling Lower

F2872



2013 VERSYS® 1000 (European) PARTS LIST

Cowling Lowers

ITEM NAME	PART NUMBER	QUANTITY
BOLT-FLANGED,6X16 (Ref # 130)	130CC0616	2
BRACKET,SHROUD,RH (Ref # 11056)	11056-1124	1
BRACKET,LWR COWLING,LH (Ref # 11056A)	11056-1308	1
BRACKET,LWR COWLING,RH (Ref # 11056B)	11056-1481	1
BRACKET,SHROUD,LH (Ref # 11056C)	11056-1679	1
PAD,T7,LH (Ref # 39156)	39156-0792	1
PAD,T5,RH (Ref # 39156A)	39156-0793	1
PAD (Ref # 39156B)	39156-0803	1
SHROUD,RH,F.S.BLACK (Ref # 49125)	49125-0562-18T	1
SHROUD,LH,F.S.BLACK (Ref # 49125A)	49125-0566-18T	1
COWLING,FILTER GUARD,F.S.BLACK (Ref # 55028)	55028-0400-18T	1
COWLING,LWR,RH,F.S.BLACK (Ref # 55028A)	55028-0412-18T	1
COWLING,LWR,LH,F.S.BLACK (Ref # 55028B)	55028-0423-18T	1
WASHER,5.5X20X1.2 (Ref # 92022)	92022-1405	4
DAMPER (Ref # 92075)	92075-051	4
DAMPER (Ref # 92075A)	92075-1634	2
BOLT,SOCKET,6MM (Ref # 92150)	92150-1154	2
BOLT,SOCKET,6X14 (Ref # 92151)	92151-1654	4
BOLT,SOCKET,5X16 (Ref # 92154)	92154-0209	2
BOLT,6X24 (Ref # 92154A)	92154-0348	2
DAMPER (Ref # 92160)	92160-1141	2
DAMPER,8X22X6 (Ref # 92161)	92161-0516	1
CLAMP (Ref # 92171)	92171-0290	1
SCREW,TAPPING,5X10 (Ref # 92172)	92172-0262	4
SCREW,TAPPING,5X10 (Ref # 92172A)	92172-0335	2
NUT,5MM (Ref # 92210)	92210-0001	2