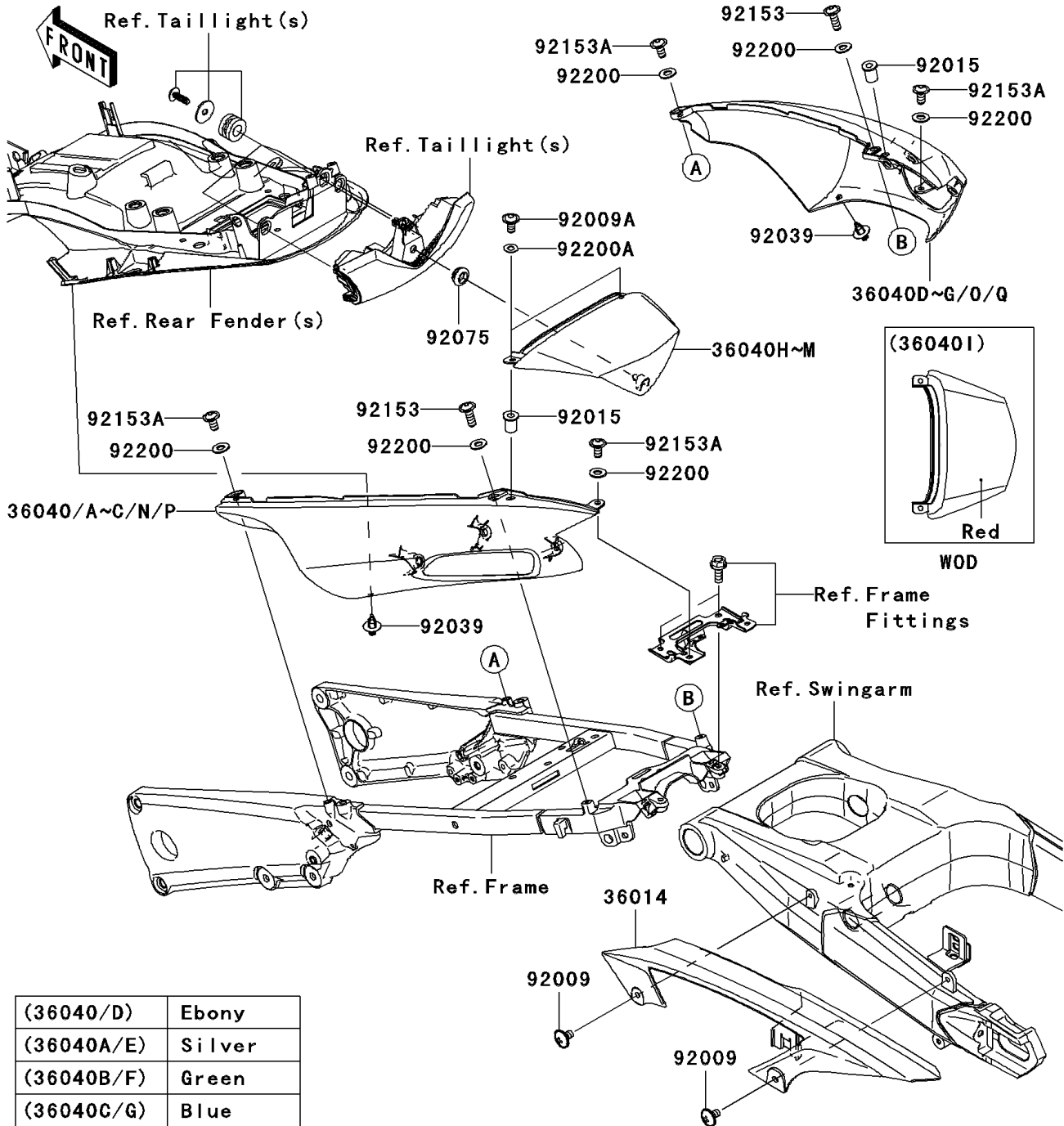


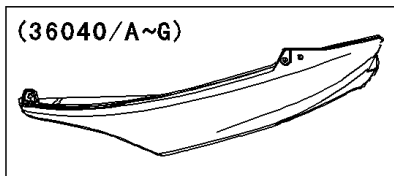
# 2008 Ninja® ZX™-14 PARTS DIAGRAM

Side Covers/Chain Cover

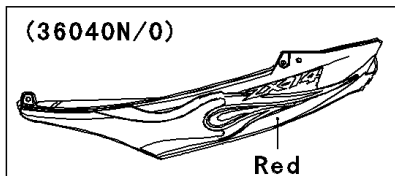
F2610



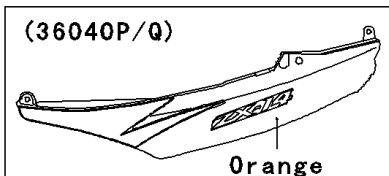
|            |        |
|------------|--------|
| (36040/D)  | Ebony  |
| (36040A/E) | Silver |
| (36040B/F) | Green  |
| (36040C/G) | Blue   |



WOD



WD



WD

## 2008 Ninja® ZX™-14 PARTS LIST

### Side Covers/Chain Cover

| ITEM NAME                                | PART NUMBER    | QUANTITY |
|--|----------------|----------|
| CASE-CHAIN (Ref # 36014)                 | 36014-0030     | 1        |
| COVER-TAIL,LH,M.M.S.BLUE (Ref # 36040C)  | 36040-0033-19A | 1        |
| COVER-TAIL,RH,M.M.S.BLUE (Ref # 36040G)  | 36040-0034-19A | 1        |
| COVER-TAIL,CNT,M.M.S.BLUE (Ref # 36040M) | 36040-0058-19A | 1        |
| SCREW,6X10 (Ref # 92009)                 | 92009-1661     | 2        |
| SCREW,5X16 (Ref # 92009A)                | 92009-1909     | 2        |
| NUT,WELL,5MM (Ref # 92015)               | 92015-1757     | 2        |
| RIVET (Ref # 92039)                      | 92039-0015     | 2        |
| DAMPER (Ref # 92075)                     | 92075-1011     | 1        |
| BOLT,6X18 (Ref # 92153)                  | 92153-0478     | 2        |
| BOLT,SOCKET,6X12 (Ref # 92153A)          | 92153-1617     | 4        |
| WASHER,6.5X14X1 (Ref # 92200)            | 92200-1388     | 6        |
| WASHER,NYLON,5.3X11.5X0.5 (Ref # 92200A) | 92200-1480     | 2        |
| COVER-TAIL,LH,SILVER (Ref # 36040A)      | 36040-0033-17M | 1        |
| COVER-TAIL,RH,SILVER (Ref # 36040E)      | 36040-0034-17M | 1        |
| COVER-TAIL,CNT,SILVER (Ref # 36040K)     | 36040-0058-17M | 1        |