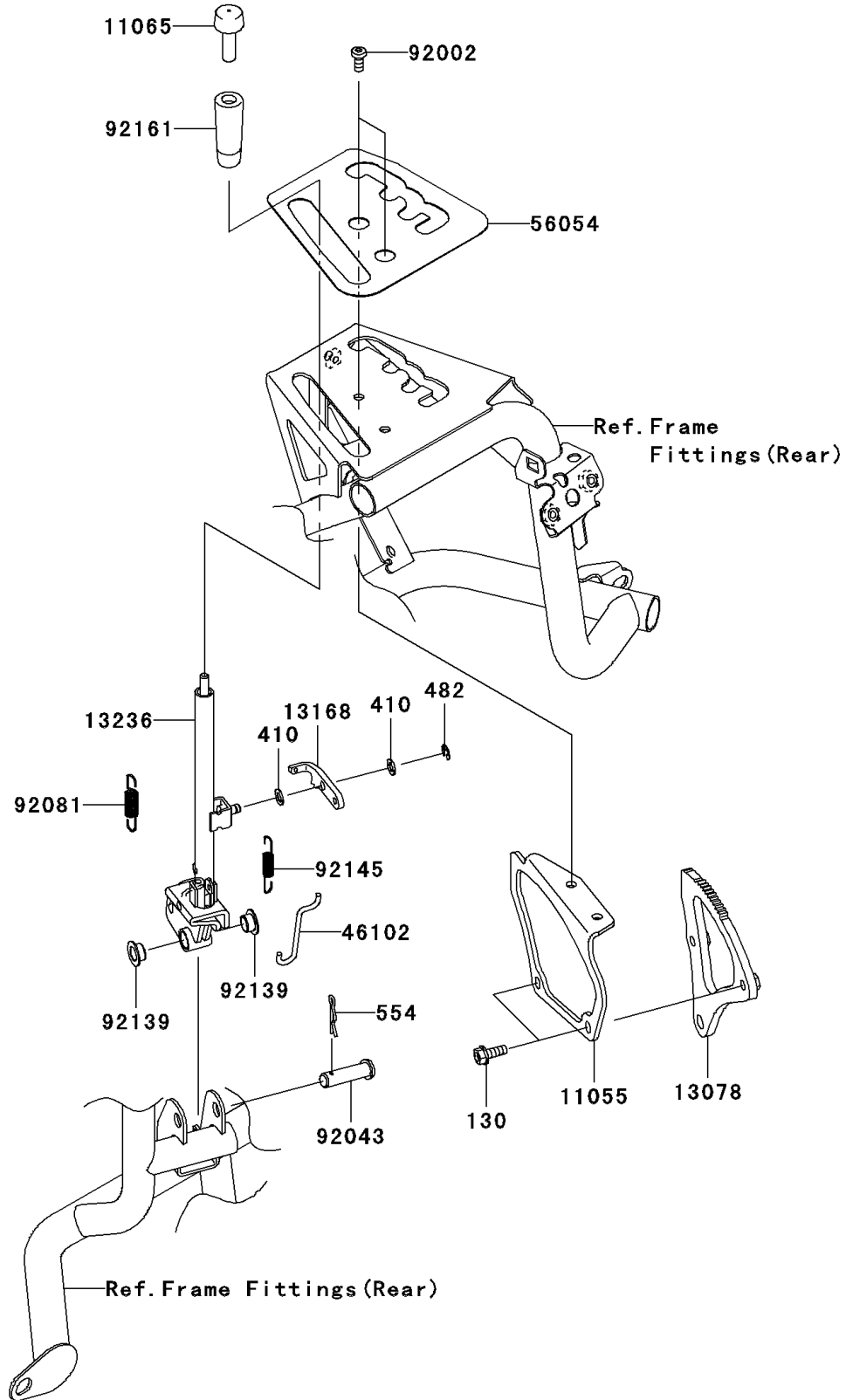


2009 Teryx 750 FI 4X4 LE Sport Monster Energy PARTS DIAGRAM

Shift Lever(s)

F2134



2009 Teryx 750 FI 4X4 LE Sport Monster Energy PARTS LIST

Shift Lever(s)

ITEM NAME	PART NUMBER	QUANTITY
BOLT-FLANGED,6X16 (Ref # 130)	130BB0616	2
WASHER-PLAIN-SMALL (Ref # 410)	410AA0600	2
CIRCLIP-TYPE-E (Ref # 482)	482EA5000	1
PIN-SNAP,10MM (Ref # 554)	554DA1000	1
BRACKET (Ref # 11055)	11055-0477	1
CAP (Ref # 11065)	11065-0269	1
RATCHET (Ref # 13078)	13078-0021	1
LEVER (Ref # 13168)	13168-0175	1
LEVER-COMP (Ref # 13236)	13236-0176	1
ROD (Ref # 46102)	46102-0131	1
MARK,DIFF LOCK (Ref # 56054)	56054-0351	1
BOLT,6X14 (Ref # 92002)	92002-1700	2
PIN,10X34 (Ref # 92043)	92043-1069	1
SPRING (Ref # 92081)	92081-1023	1
BUSHING (Ref # 92139)	92139-0230	2
SPRING (Ref # 92145)	92145-0611	1
DAMPER (Ref # 92161)	92161-0616	1