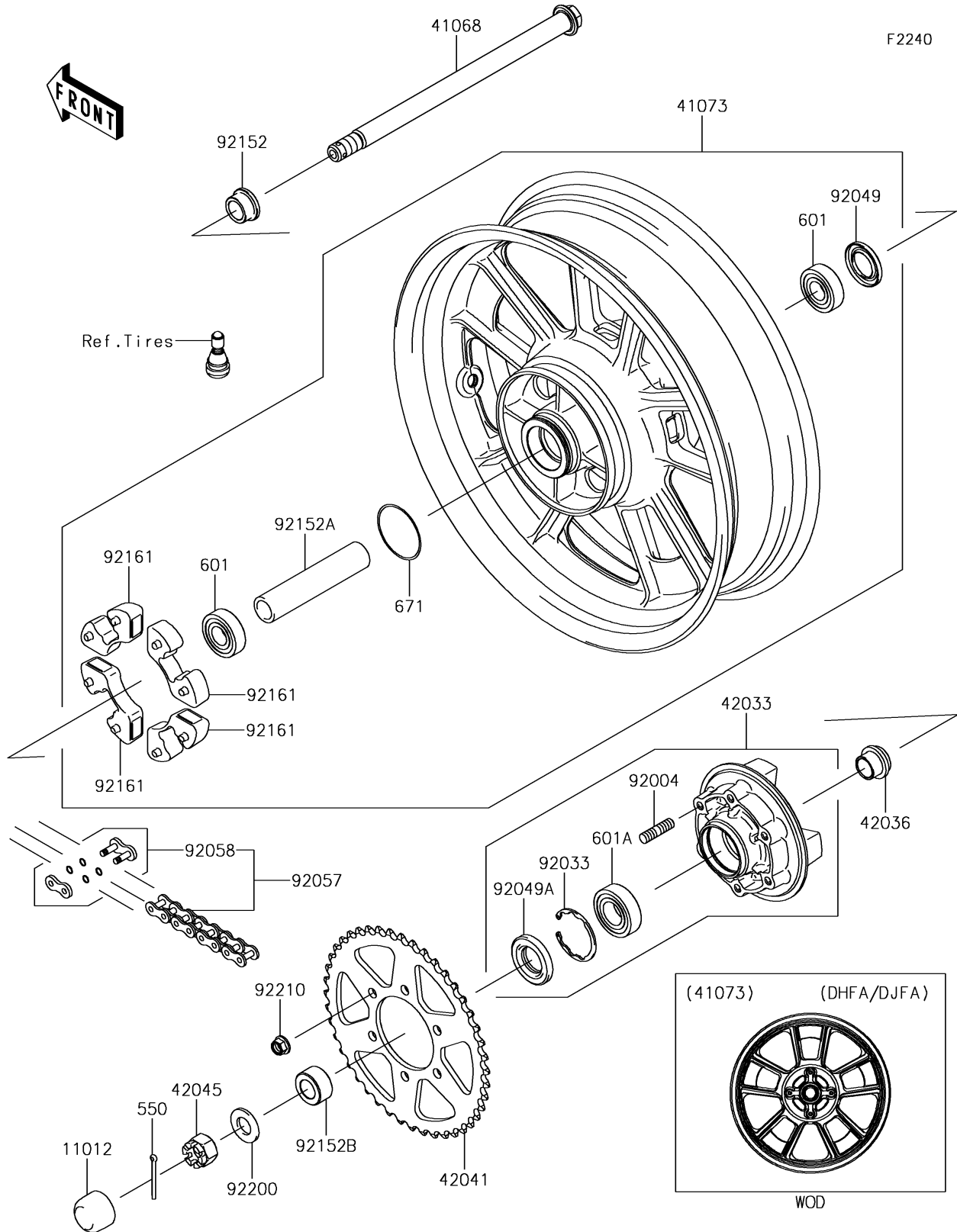


# 2017 Vulcan S ABS SE PARTS DIAGRAM

Rear Wheel/Chain



## 2017 Vulcan S ABS SE PARTS LIST

### Rear Wheel/Chain

| ITEM NAME                                 | PART NUMBER   | QUANTITY |
|---|---------------|----------|
| CAP,AXLE NUT (Ref # 11012)                | 11012-1590    | 1        |
| AXLE,RR,18X321.8 (Ref # 41068)            | 41068-0592    | 1        |
| WHEEL-ASSY,RR,G.BLACK (Ref # 41073)       | 41073-0654-QT | 1        |
| COUPLING-ASSY,RR HUB (Ref # 42033)        | 42033-0570    | 1        |
| SLEEVE,RR HUB,L=23 (Ref # 42036)          | 42036-1251    | 1        |
| SPROCKET-HUB,46T (Ref # 42041)            | 42041-0087    | 1        |
| NUT,CASTLE,18MM (Ref # 42045)             | 42045-018     | 1        |
| PIN-COTTER,4.0X40 (Ref # 550)             | 550AA4040     | 1        |
| BEARING-BALL,6204UUC3 (Ref # 601)         | 601B6204UU    | 2        |
| BEARING-BALL (Ref # 601A)                 | 601B6205UU    | 1        |
| O RING,60MM (Ref # 671)                   | 671B2560      | 1        |
| STUD,10X19 (Ref # 92004)                  | 92004-0048    | 6        |
| RING-SNAP,52MM (Ref # 92033)              | 92033-1043    | 1        |
| SEAL-OIL,28 47 5 (Ref # 92049)            | 92049-0140    | 1        |
| SEAL-OIL (Ref # 92049A)                   | 92049-1287    | 1        |
| CHAIN,DRIVE,EK520MVXL3X120L (Ref # 92057) | 92057-0675    | 1        |
| JOINT-CHAIN,DRIVE (Ref # 92058)           | 92058-0021    | 1        |
| COLLAR,RR AXLE,RH,L=17 (Ref # 92152)      | 92152-0302    | 1        |
| COLLAR,20.2X28X133 (Ref # 92152A)         | 92152-0748    | 1        |
| COLLAR,20X35X18 (Ref # 92152B)            | 92152-0751    | 1        |
| DAMPER,SHOCK,RR HUB (Ref # 92161)         | 92161-0342    | 4        |
| WASHER,19X36X3.2 (Ref # 92200)            | 92200-0296    | 1        |
| NUT,LOCK,FLANGED,10MM (Ref # 92210)       | 92210-0276    | 6        |