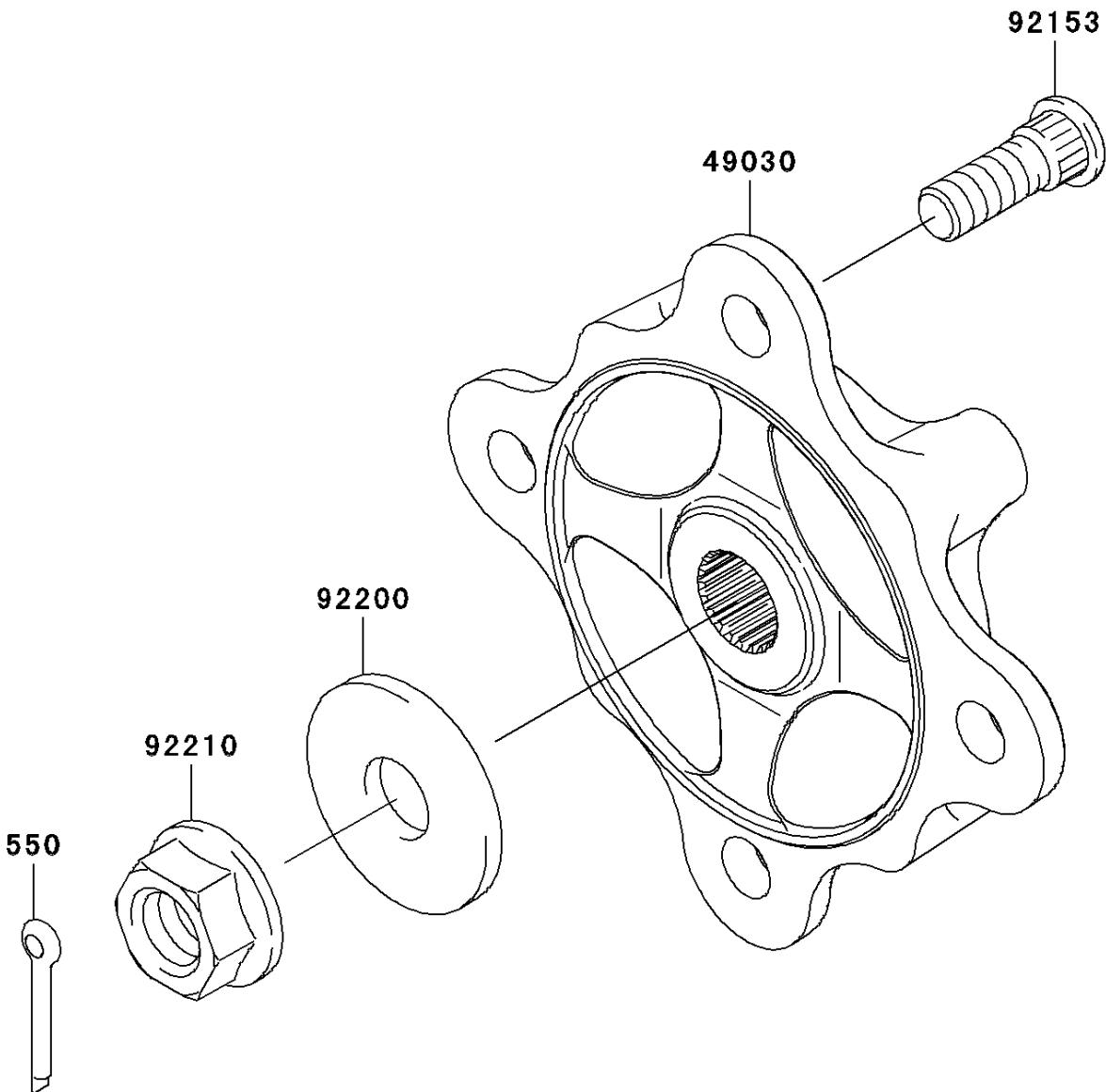


2009 Teryx 750 FI 4X4 LE Sport Monster Energy PARTS DIAGRAM

Front Hubs/Brakes

F2230



2009 Teryx 750 FI 4X4 LE Sport Monster Energy PARTS LIST

Front Hubs/Brakes

ITEM NAME	PART NUMBER	QUANTITY
PIN-COTTER,4.0X30 (Ref # 550)	550AA4030	2
HUB,FR (Ref # 49030)	49030-0036	2
BOLT,12MM (Ref # 92153)	92153-1915	8
WASHER,18.5X52X4.5 (Ref # 92200)	92200-0425	2
NUT,FLANGED,18MM (Ref # 92210)	92210-0132	2