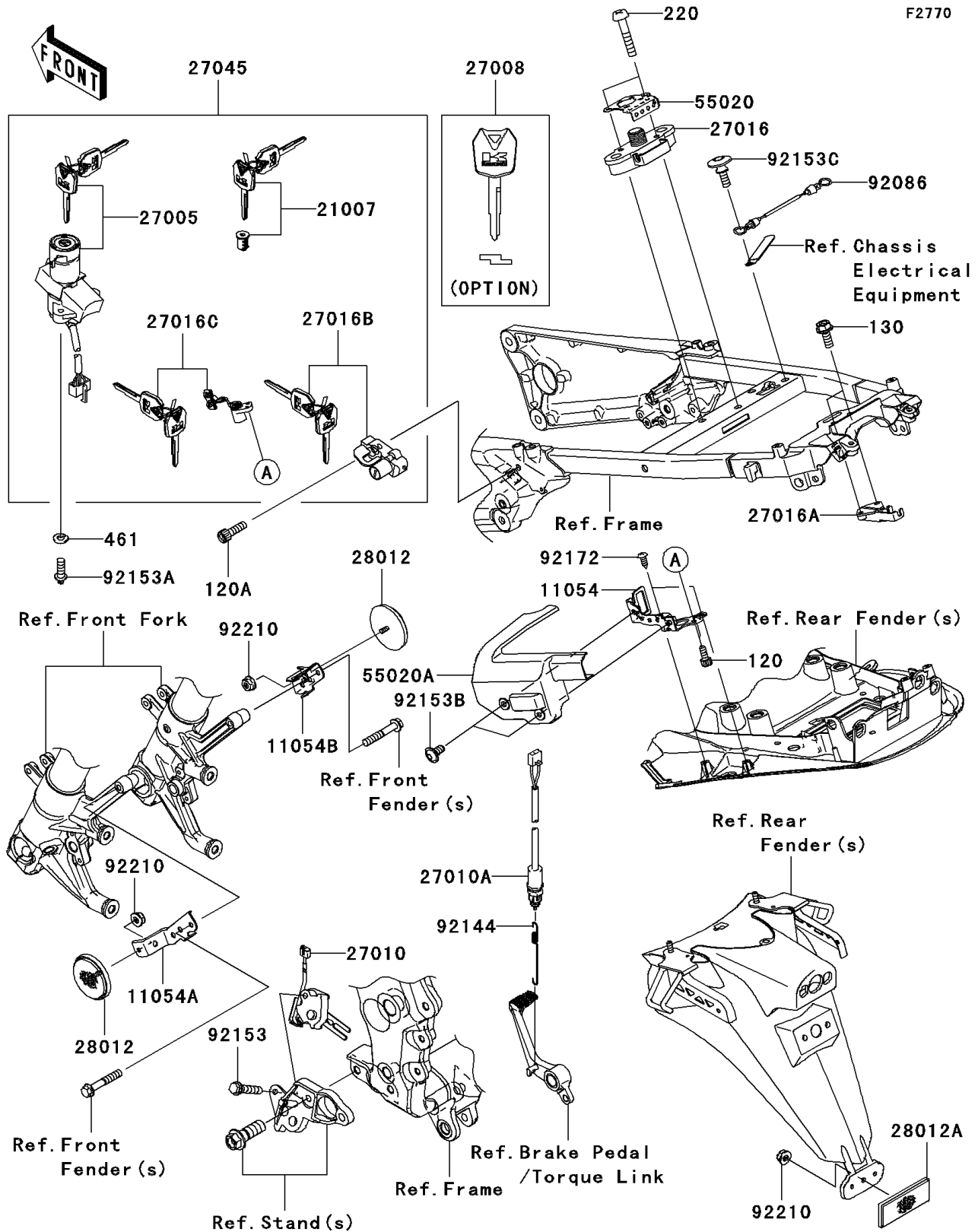


2008 Ninja® ZX™-14 PARTS DIAGRAM

Ignition Switch/Locks/Reflectors



F2770

2008 Ninja® ZX™ -14 PARTS LIST

Ignition Switch/Locks/Reflectors

ITEM NAME	PART NUMBER	QUANTITY
BOLT-SOCKET,5X12 (Ref # 120)	120CA0512	2
BOLT-SOCKET,6X20 (Ref # 120A)	120CA0620	1
BOLT-FLANGED,6X12 (Ref # 130)	130BA0612	2
SCREW-PAN-CROSS,6X35 (Ref # 220)	220AA0635	2
WASHER-SPRING,6MM (Ref # 461)	461DA0600	2
BRACKET,SEAT LOCK (Ref # 11054)	11054-0068	1
BRACKET,REFLECTOR,FR,LH (Ref # 11054A)	11054-0692	1
BRACKET,REFLECTOR,FR,RH (Ref # 11054B)	11054-0693	1
ROTOR,LOCK,TANK CAP (Ref # 21007)	21007-5057	1
SWITCH-ASSY-IGNITION (Ref # 27005)	27005-5139	1
KEY-LOCK,BLANK (Ref # 27008)	27008-0030	1
SWITCH,SIDE STAND (Ref # 27010)	27010-0064	1
SWITCH,REAR BRAKE (Ref # 27010A)	27010-1479	1
LOCK-ASSY,SEAT STRIKER (Ref # 27016)	27016-1098	1
LOCK-ASSY,SEAT STRIKER (Ref # 27016A)	27016-1115	1
LOCK-ASSY,HELMET (Ref # 27016B)	27016-5326	1
LOCK-ASSY,SEAT (Ref # 27016C)	27016-5339	1
SWITCH-ASSY (Ref # 27045)	27045-5341	1
REFLECTOR-REFLEX (Ref # 28012)	28012-0008	2
REFLECTOR-REFLEX (Ref # 28012A)	28012-1077	1
GUARD,SEAT STRIKER (Ref # 55020)	55020-0082	1
GUARD,SEAT LOCK (Ref # 55020A)	55020-0275	1
WIRE,L=150 (Ref # 92086)	92086-1075	1
SPRING,REAR BRAKE SWITCH (Ref # 92144)	92144-1753	1
BOLT,FLANGED,6X30 (Ref # 92153)	92153-1425	1
BOLT,TORX,6X16 (Ref # 92153A)	92153-1426	2
BOLT,SOCKET,6X12 (Ref # 92153B)	92153-1617	2
BOLT,SOCKET,6X21 (Ref # 92153C)	92153-1618	1
SCREW,TAPPING,5X12 (Ref # 92172)	92172-0239	2

2008 Ninja® ZX™ -14 PARTS LIST

Ignition Switch/Locks/Reflectors

ITEM NAME	PART NUMBER	QUANTITY
NUT,FLANGED,5MM (Ref # 92210)	92210-0007	3