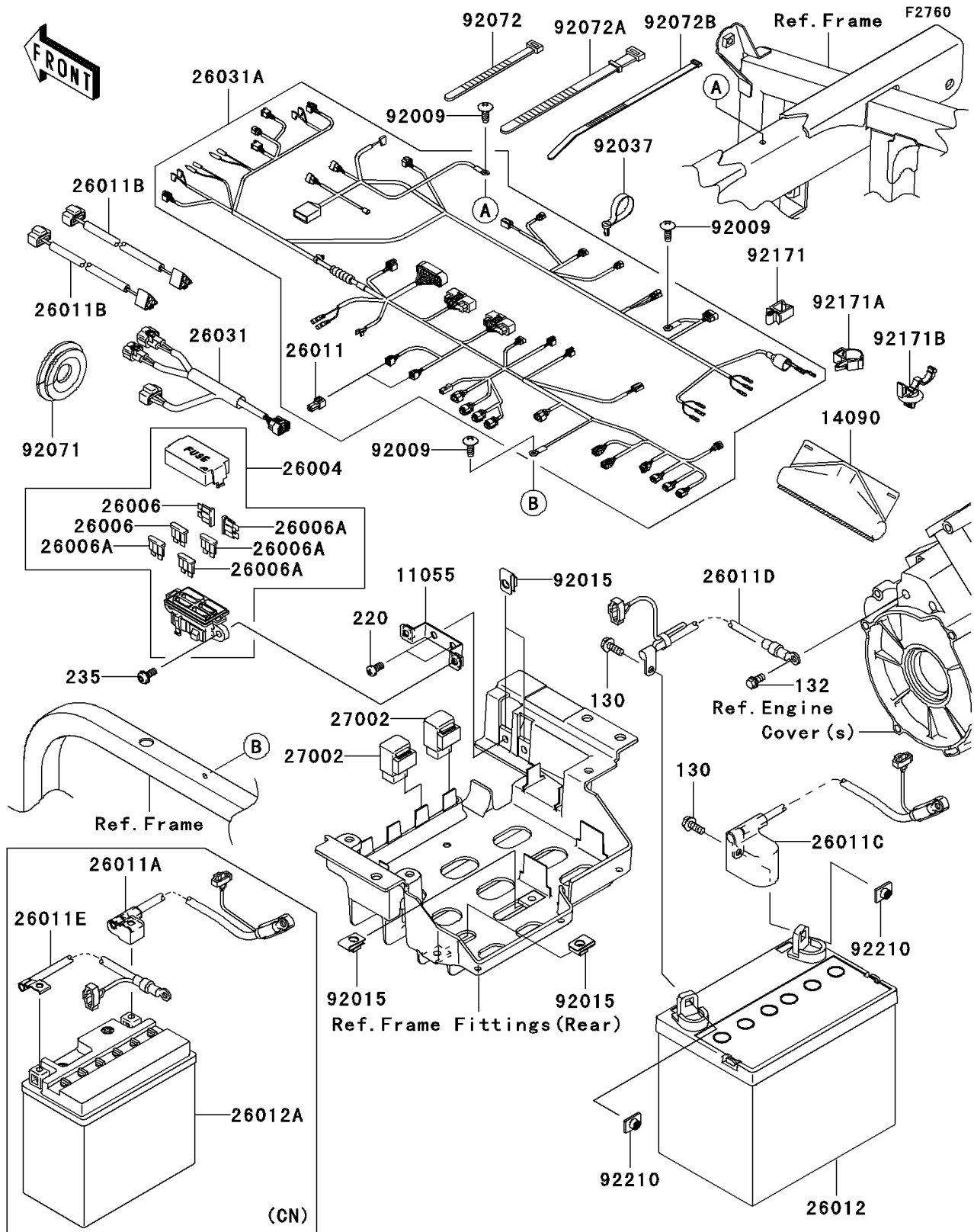


2009 Teryx 750 FI 4X4 LE Sport Monster Energy PARTS DIAGRAM

Chassis Electrical Equipment



2009 Teryx 750 FI 4X4 LE Sport Monster Energy PARTS LIST

Chassis Electrical Equipment

ITEM NAME	PART NUMBER	QUANTITY
BOLT-FLANGED-SMALL,6X12 (Ref # 132)	132BD0612	1
SCREW-PAN-CROSS,6X12 (Ref # 220)	220AA0612	2
SCREW-PAN-WP-CROS,6X14 (Ref # 235)	235AA0614	2
BRACKET,FUSE&CONTROL UNIT (Ref # 11055)	11055-1391	1
COVER,COUPLER (Ref # 14090)	14090-1331	1
FUSE-ASSY (Ref # 26004)	26004-0016	1
FUSE,30A (Ref # 26006)	26006-0004	2
FUSE,10A (Ref # 26006A)	26006-0005	4
WIRE-LEAD (Ref # 26011)	26011-0037	2
WIRE-LEAD,HEAD LAMP (Ref # 26011B)	26011-0143	2
HARNESS,SUB (Ref # 26031)	26031-0752	1
HARNESS,MAIN (Ref # 26031A)	26031-0781	1
RELAY-ASSY (Ref # 27002)	27002-1062	2
SCREW,TAPPING,6X16 (Ref # 92009)	92009-1166	3
NUT,6MM (Ref # 92015)	92015-1602	4
CLAMP,SPEED,L=80.5 (Ref # 92037)	92037-1903	5
GROMMET (Ref # 92071)	92071-0030	1
BAND,L=123 (Ref # 92072)	92072-030	2
BAND,L=186 (Ref # 92072A)	92072-056	1
BAND,L=292.1 (Ref # 92072B)	92072-3509	25
CLAMP (Ref # 92171)	92171-0290	3
CLAMP,BRAKE HOSE (Ref # 92171A)	92171-0316	4
CLAMP (Ref # 92171B)	92171-0453	5
BOLT-FLANGED,6X16 (Ref # 130)	130BA0616	2
WIRE-LEAD,BATTERY(+) (Ref # 26011A)	26011-0130	1
WIRE-LEAD,BATTERY(+) (Ref # 26011C)	26011-0190	1
WIRE-LEAD,BATTERY(-) (Ref # 26011D)	26011-0231	1
WIRE-LEAD,BATTERY(-) (Ref # 26011E)	26011-0232	1
BATTERY,12V 14AH (Ref # 26012)	26012-0107	1

2009 Teryx 750 FI 4X4 LE Sport Monster Energy PARTS LIST

Chassis Electrical Equipment

ITEM NAME	PART NUMBER	QUANTITY
BATTERY,MF,KMX14-BS,12V 12AH (Ref # 26012A)	26012-1414	1
NUT,PLATE,6MM (Ref # 92210)	92210-1352	2