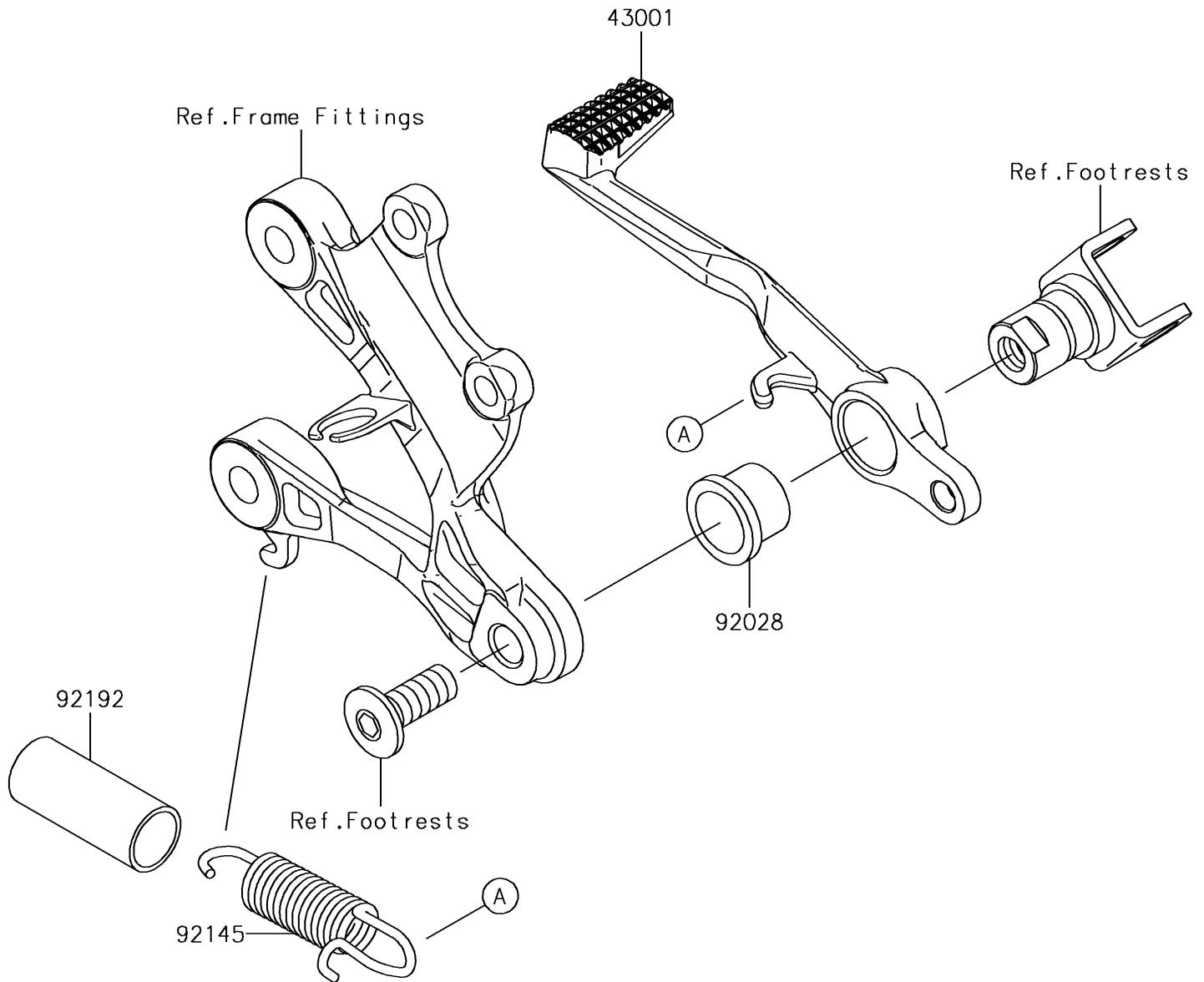


# 2018 NINJA<sup>®</sup> ZX<sup>™</sup>-6R PARTS DIAGRAM

Brake Pedal/Torque Link

F2260



## 2018 NINJA® ZX™ -6R PARTS LIST

### Brake Pedal/Torque Link

ITEM NAME	PART NUMBER	QUANTITY
LEVER-BRAKE,PEDAL (Ref # 43001)	43001-0718	1
BUSHING (Ref # 92028)	92028-1576	1
SPRING,BRAKE PEDAL RETURN (Ref # 92145)	92145-0630	1
TUBE,16X19X45 (Ref # 92192)	92192-0838	1