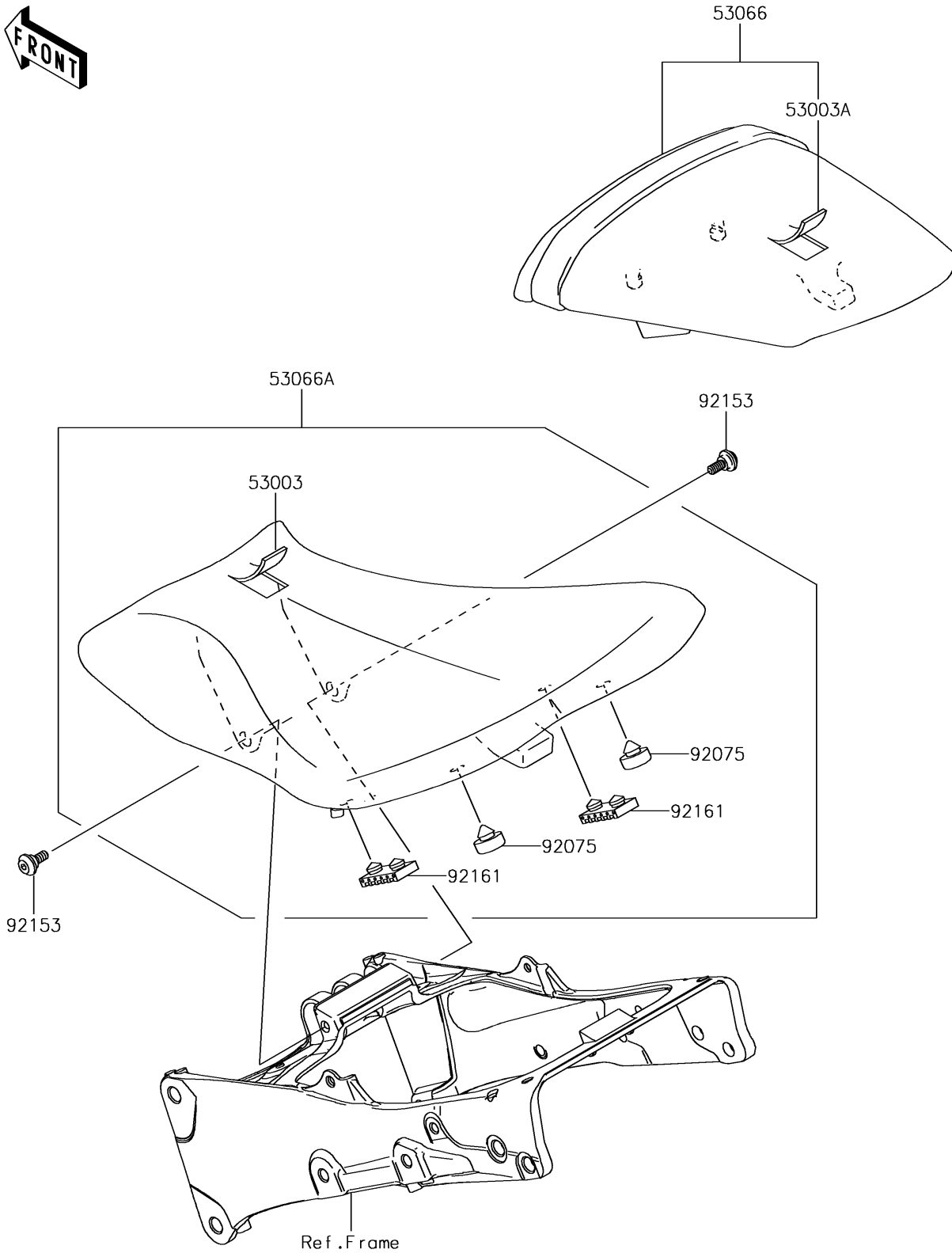


2018 NINJA® ZX™ -6R PARTS DIAGRAM

Seat

F2510



2018 NINJA® ZX™-6R PARTS LIST

Seat

ITEM NAME	PART NUMBER	QUANTITY
LEATHER,FRONT SEAT,BLACK (Ref # 53003)	53003-0120-MA	1
LEATHER,REAR SEAT,BLACK (Ref # 53003A)	53003-0121-MA	1
SEAT,RR,LEATHER BLK+BAND BLK (Ref # 53066)	53066-0189-12Y	1
SEAT-ASSY,FR,BLACK (Ref # 53066A)	53066-0246-MA	1
DAMPER,10X20X8 (Ref # 92075)	92075-1927	2
BOLT,SOCKET,6MM (Ref # 92153)	92153-0489	2
DAMPER,SEAT (Ref # 92161)	92161-1489	2