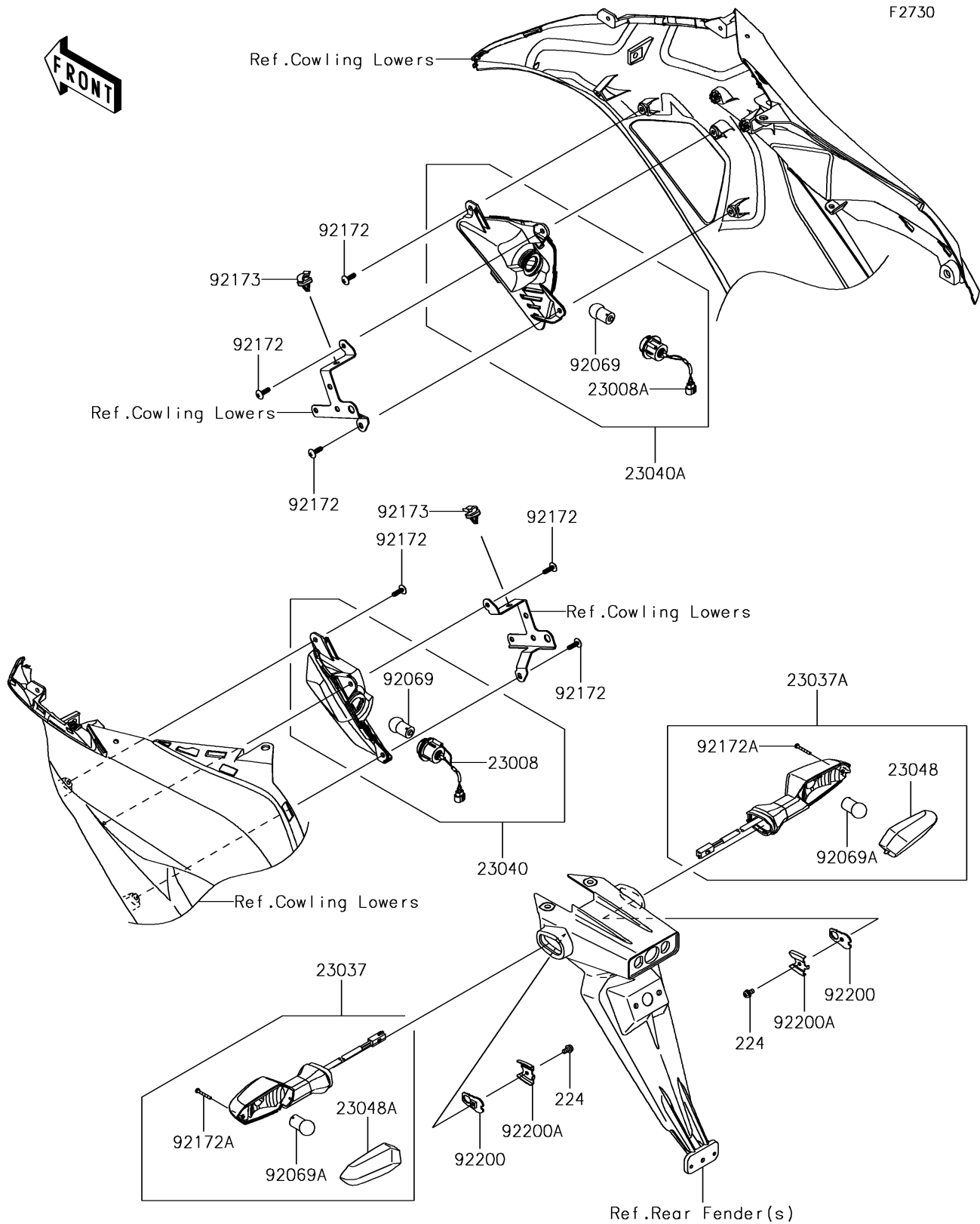


2018 NINJA® ZX™ -6R PARTS DIAGRAM

Turn Signals



2018 NINJA® ZX™ -6R PARTS LIST

Turn Signals

| ITEM NAME | PART NUMBER | QUANTITY |
|---------------------------------------|-------------|----------|
| SCREW-PAN-WP-CROS,4X8 (Ref # 224) | 224AB0408 | 2 |
| SOCKET-ASSY,LH (Ref # 23008) | 23008-0167 | 1 |
| SOCKET-ASSY,RH (Ref # 23008A) | 23008-0168 | 1 |
| LAMP-ASSY-SIGNAL,RR,LH (Ref # 23037) | 23037-0302 | 1 |
| LAMP-ASSY-SIGNAL,RR,RH (Ref # 23037A) | 23037-0303 | 1 |
| LAMP-SIGNAL,FR,LH (Ref # 23040) | 23040-0135 | 1 |
| LAMP-SIGNAL,FR,RH (Ref # 23040A) | 23040-0136 | 1 |
| LENS-SIGNAL LAMP,RR,RH (Ref # 23048) | 23048-0025 | 1 |
| LENS-SIGNAL LAMP,RR,LH (Ref # 23048A) | 23048-0026 | 1 |
| BULB,12V 10W (Ref # 92069) | 92069-0058 | 2 |
| BULB,12V 10W (Ref # 92069A) | 92069-0076 | 2 |
| SCREW,TAPPING,5X14 (Ref # 92172) | 92172-0265 | 6 |
| SCREW,2.9X22 (Ref # 92172A) | 92172-0395 | 2 |
| CLAMP,CABLE CLIP (Ref # 92173) | 92173-1022 | 2 |
| WASHER,NUT 4MM (Ref # 92200) | 92200-0854 | 2 |
| WASHER (Ref # 92200A) | 92200-0855 | 2 |