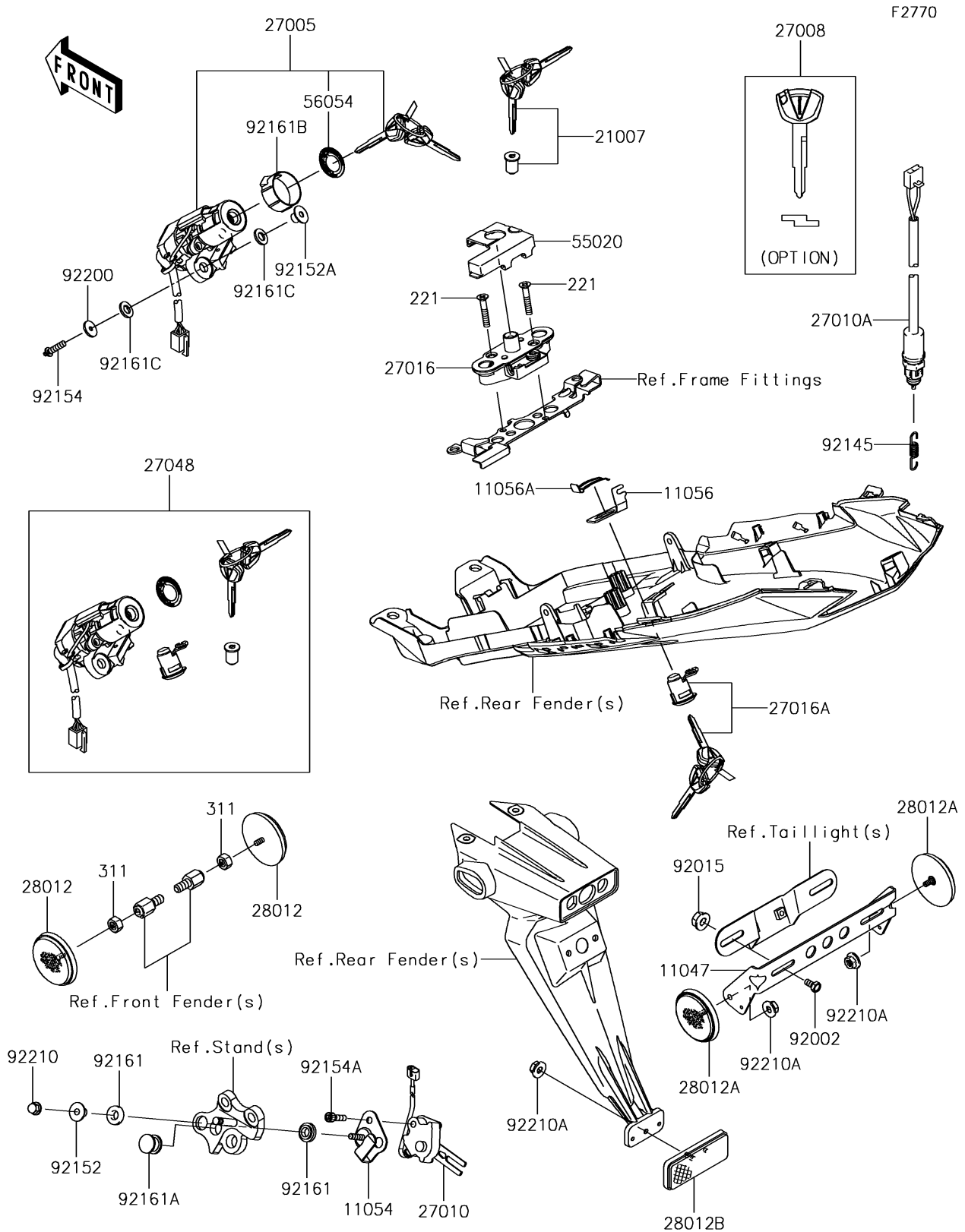


2018 NINJA® ZX™ -6R KRT EDITION PARTS DIAGRAM

Ignition Switch/Locks/Reflectors



2018 NINJA® ZX™ -6R KRT EDITION PARTS LIST

Ignition Switch/Locks/Reflectors

ITEM NAME	PART NUMBER	QUANTITY
BRACKET,REFLECTOR (Ref # 11047)	11047-1470	1
BRACKET,SIDE STAND SWITCH (Ref # 11054)	11054-1904	1
BRACKET (Ref # 11056)	11056-0237	1
BRACKET,CLASP (Ref # 11056A)	11056-0238	1
ROTOR,LOCK,TANK CAP (Ref # 21007)	21007-5068	1
SCREW-CSK-CROS,6X35 (Ref # 221)	221AB0635	2
SWITCH-ASSY-IGNITION (Ref # 27005)	27005-0568	1
KEY-LOCK,BLANK (Ref # 27008)	27008-0069	1
SWITCH,SIDE STAND (Ref # 27010)	27010-0741	1
SWITCH,REAR BRAKE (Ref # 27010A)	27010-1479	1
LOCK-ASSY,SEAT STRIKER (Ref # 27016)	27016-0035	1
LOCK-ASSY,SEAT (Ref # 27016A)	27016-5373	1
SWITCH-ASSY (Ref # 27048)	27048-5023	1
REFLECTOR-REFLEX,FR,SIDE (Ref # 28012)	28012-0001	2
REFLECTOR-REFLEX (Ref # 28012A)	28012-0002	2
REFLECTOR-REFLEX (Ref # 28012B)	28012-1077	1
NUT-HEX,5MM (Ref # 311)	311AB0500	2
GUARD,SEAT STRIKER (Ref # 55020)	55020-0483	1
MARK,IGNITION SWITCH (Ref # 56054)	56054-0969	1
BOLT,6X12 (Ref # 92002)	92002-1132	2
NUT,FLANGED,6MM (Ref # 92015)	92015-1367	2
SPRING,REAR BRAKE SWITCH (Ref # 92145)	92145-0091	1
COLLAR (Ref # 92152)	92152-1074	1
COLLAR,6.8X10X11.6 (Ref # 92152A)	92152-1699	2
BOLT,TORX,6X24 (Ref # 92154)	92154-1129	2
BOLT,SOCKET,6X22 (Ref # 92154A)	92154-1898	1
DAMPER (Ref # 92161)	92161-0117	2
DAMPER (Ref # 92161A)	92161-0118	1
DAMPER (Ref # 92161B)	92161-1506	1

2018 NINJA® ZX™ -6R KRT EDITION PARTS LIST

Ignition Switch/Locks/Reflectors

ITEM NAME	PART NUMBER	QUANTITY
DAMPER,10X17X3 (Ref # 92161C)	92161-1507	4
WASHER,6X20X1.6 (Ref # 92200)	92200-0212	2
NUT,CAP,6MM (Ref # 92210)	92210-0003	1
NUT,FLANGED,5MM (Ref # 92210A)	92210-0007	3