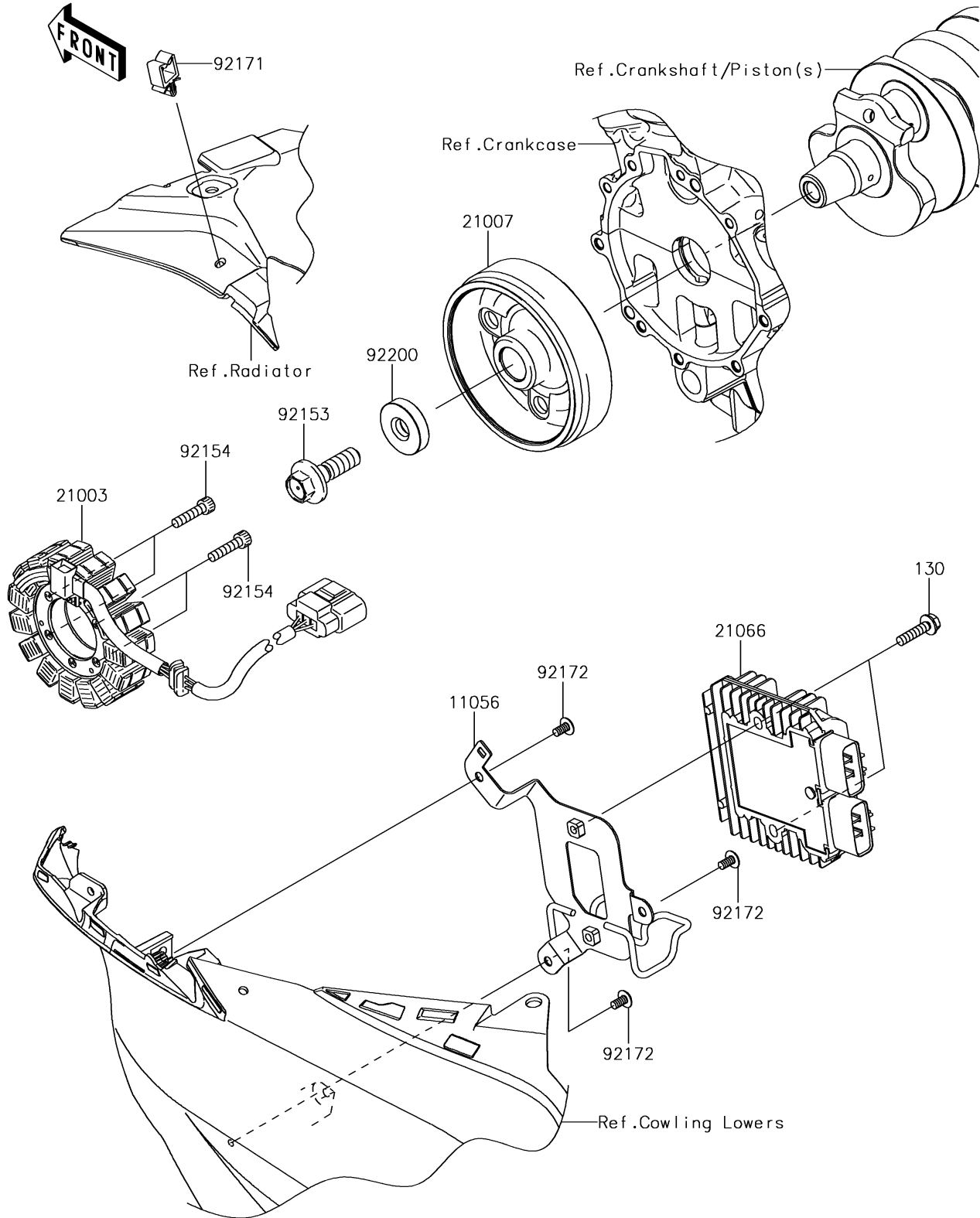


2018 NINJA[®] ZX[™]-6R ABS KRT EDITION PARTS DIAGRAM

Generator

E1810



2018 NINJA® ZX™ -6R ABS KRT EDITION PARTS LIST

Generator

ITEM NAME	PART NUMBER	QUANTITY
BRACKET,REGULATOR (Ref # 11056)	11056-2283	1
BOLT-FLANGED,6X25 (Ref # 130)	130BA0625	2
STATOR (Ref # 21003)	21003-0107	1
ROTOR (Ref # 21007)	21007-0123	1
REGULATOR-VOLTAGE (Ref # 21066)	21066-0730	1
BOLT,12X40 (Ref # 92153)	92153-1855	1
BOLT,SOCKET,6X25 (Ref # 92154)	92154-0477	4
CLAMP (Ref # 92171)	92171-0290	1
SCREW,TAPPING,5X10 (Ref # 92172)	92172-0262	3
WASHER,12X36X8 (Ref # 92200)	92200-1249	1