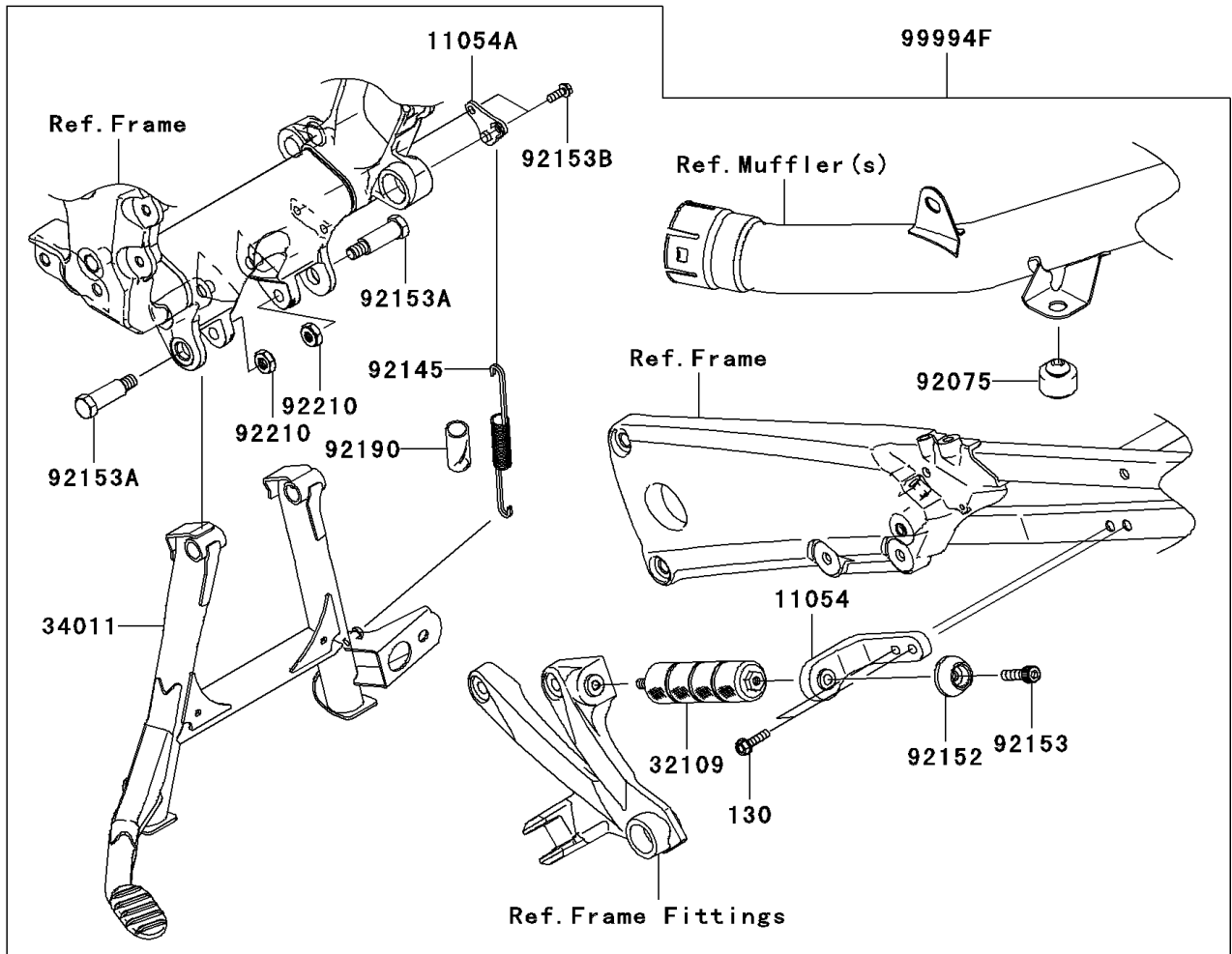
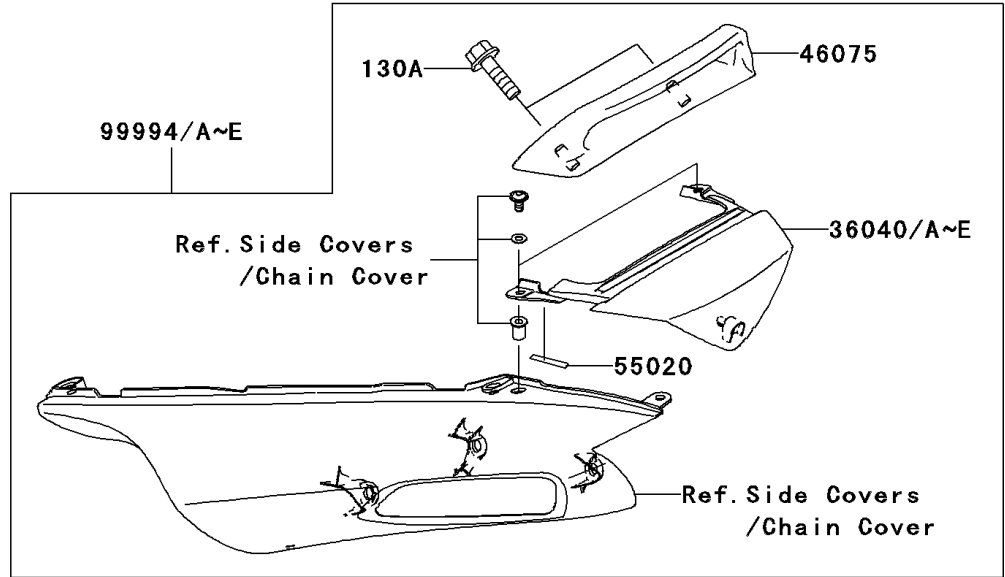


2008 Ninja® ZX™-14 PARTS DIAGRAM

Optional Parts

F2890



2008 Ninja® ZX™ -14 PARTS LIST

Optional Parts

ITEM NAME	PART NUMBER	QUANTITY
BRACKET,CENTER STAND GRIP (Ref # 11054)	11054-0452	1
BRACKET,CENTER STAND SPRING (Ref # 11054A)	11054-0744	1
GRIP-FRAME,CENTER STAND (Ref # 32109)	32109-0021	1
STAND-CENTER (Ref # 34011)	34011-0013	1
COVER-TAIL,CNT,M.M.S.BLUE (Ref # 36040E)	36040-0059-19A	1
GRIP,TAIL,F.BLACK (Ref # 46075)	46075-1104-21	1
GUARD,TAIL COVER (Ref # 55020)	55020-0277	2
DAMPER (Ref # 92075)	92075-015	1
SPRING,CENTER STAND (Ref # 92145)	92145-0362	1
COLLAR (Ref # 92152)	92152-0668	1
BOLT,SOCKET,10X30 (Ref # 92153)	92153-1524	1
BOLT,CENTER STAND,10MM (Ref # 92153A)	92153-1593	2
BOLT,FLANGED,6X14 (Ref # 92153B)	92153-1594	2
TUBE,16.5X20.5X55 (Ref # 92190)	92190-1462	1
NUT,LOCK,10MM (Ref # 92210)	92210-0278	2
BOLT-FLANGED,6X25 (Ref # 130)	130BA0625	2
BOLT-FLANGED,8X35 (Ref # 130A)	130BA0835	2
KIT,TANDEM GRIP,M.M.S.BLUE (Ref # 99994E)	99994-0053-19A	1
KIT,CENTER STAND (Ref # 99994F)	99994-0125	1
COVER-TAIL,CNT,SILVER (Ref # 36040C)	36040-0059-17M	1
KIT,TANDEM GRIP,SILVER (Ref # 99994C)	99994-0053-17M	1