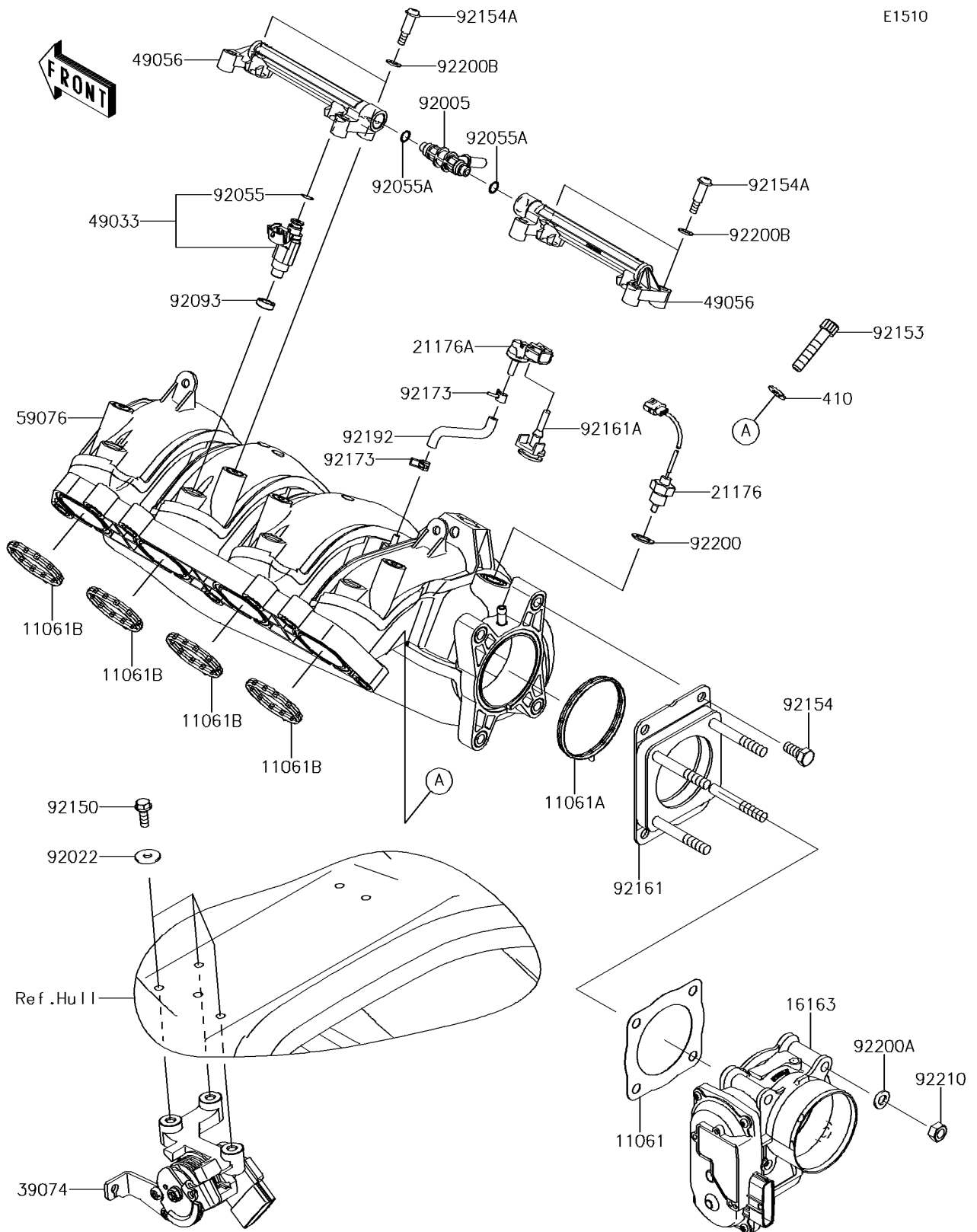


# 2014 JET SKI® ULTRA® 310X SE PARTS DIAGRAM

## Throttle



## 2014 JET SKI® ULTRA® 310X SE PARTS LIST

### Throttle

| ITEM NAME                             | PART NUMBER | QUANTITY |
|---------------------------------------|-------------|----------|
| GASKET,THROTTLE (Ref # 11061)         | 11061-0824  | 1        |
| GASKET,MANIFOLD (Ref # 11061A)        | 11061-3766  | 1        |
| GASKET,THROTTLE (Ref # 11061B)        | 11061-3767  | 4        |
| THROTTLE-ASSY (Ref # 16163)           | 16163-3717  | 1        |
| SENSOR,AIR TEMPERATURE (Ref # 21176)  | 21176-3767  | 1        |
| SENSOR,BOOST (Ref # 21176A)           | 21176-3777  | 1        |
| LEVER-ASSY-THROTTLE (Ref # 39074)     | 39074-3730  | 1        |
| WASHER-PLAIN-SMALL,8MM (Ref # 410)    | 410S0800    | 7        |
| NOZZLE-INJECTION (Ref # 49033)        | 49033-3709  | 4        |
| PIPE-INJECTION,FUEL (Ref # 49056)     | 49056-3705  | 2        |
| MANIFOLD-INTAKE (Ref # 59076)         | 59076-0006  | 1        |
| FITTING,FUEL PIPE (Ref # 92005)       | 92005-3766  | 1        |
| WASHER,6.5X20X1.5 (Ref # 92022)       | 92022-3710  | 3        |
| RING-O,INJECTION NOZZLE (Ref # 92055) | 92055-1622  | 4        |
| RING-O (Ref # 92055A)                 | 92055-3782  | 2        |
| SEAL (Ref # 92093)                    | 92093-0127  | 4        |
| BOLT,6X18 (Ref # 92150)               | 92150-3729  | 3        |
| BOLT,SOCKET,8X40 (Ref # 92153)        | 92153-0517  | 7        |
| BOLT (Ref # 92154)                    | 92154-1389  | 4        |
| BOLT (Ref # 92154A)                   | 92154-3713  | 4        |
| DAMPER (Ref # 92161)                  | 92161-1635  | 1        |
| DAMPER (Ref # 92161A)                 | 92161-3796  | 1        |
| CLAMP (Ref # 92173)                   | 92173-3702  | 2        |
| TUBE (Ref # 92192)                    | 92192-1361  | 1        |
| WASHER,12X18X1 (Ref # 92200)          | 92200-0712  | 1        |
| WASHER (Ref # 92200A)                 | 92200-3806  | 4        |
| WASHER (Ref # 92200B)                 | 92200-3807  | 4        |
| NUT (Ref # 92210)                     | 92210-0897  | 4        |