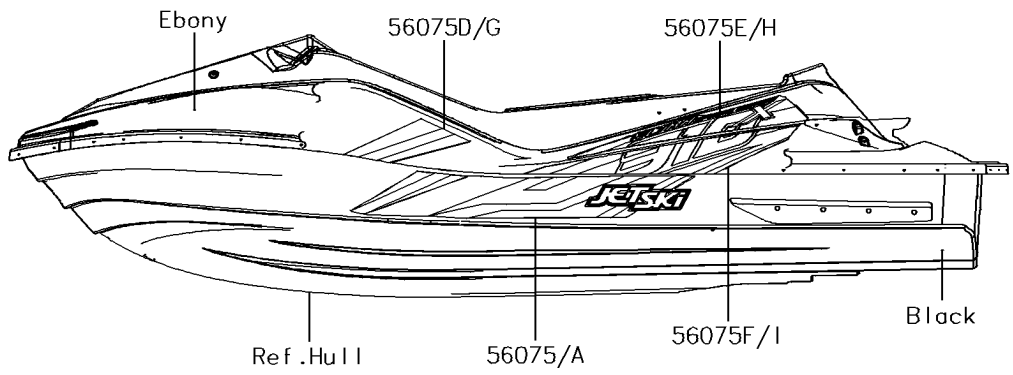
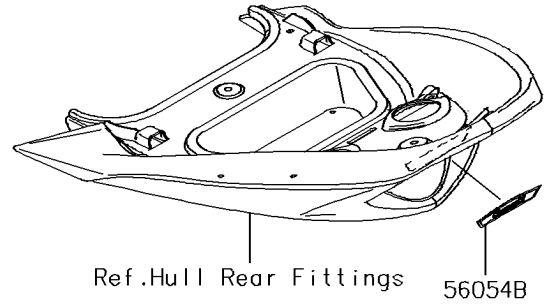
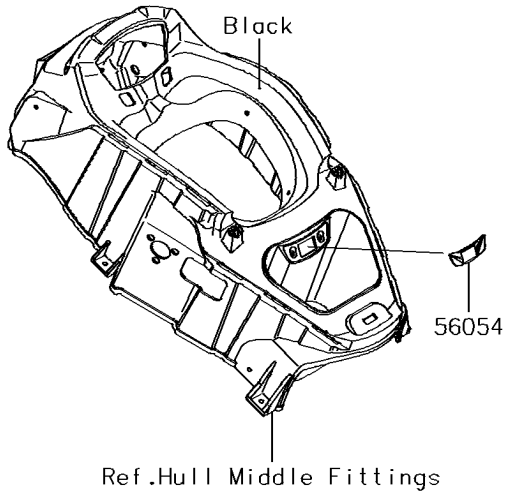
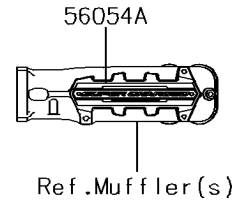
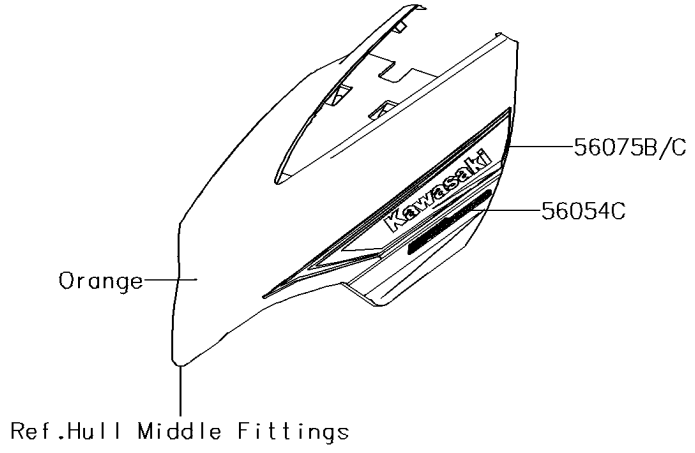


# 2018 JET SKI® ULTRA® 310X SE PARTS DIAGRAM

Decals(PJF)

F3880D



## 2018 JET SKI® ULTRA® 310X SE PARTS LIST

### Decals(PJF)

ITEM NAME	PART NUMBER	QUANTITY
MARK,IMMOBILIZER (Ref # 56054)	56054-1333	1
MARK,SUPER CHARGED (Ref # 56054A)	56054-1334	1
MARK,GRIP,KAWASAKI (Ref # 56054B)	56054-1335	1
MARK,SUPERCHARGED (Ref # 56054C)	56054-1840	2
PATTERN,HULL,LH (Ref # 56075)	56075-2821	1
PATTERN,HULL,RH (Ref # 56075A)	56075-2822	1
PATTERN,HATCH COVER,LH,UPP (Ref # 56075B)	56075-2823	1
PATTERN,HATCH COVER,RH,UPP (Ref # 56075C)	56075-2824	1
PATTERN,DECK,LH,FR (Ref # 56075D)	56075-2825	1
PATTERN,DECK,LH,RR,UPP (Ref # 56075E)	56075-2826	1
PATTERN,DECK,LH,RR,LWR (Ref # 56075F)	56075-2827	1
PATTERN,DECK,RH,FR (Ref # 56075G)	56075-2828	1
PATTERN,DECK,RH,RR,UPP (Ref # 56075H)	56075-2829	1
PATTERN,DECK,RH,RR,LWR (Ref # 56075I)	56075-2830	1