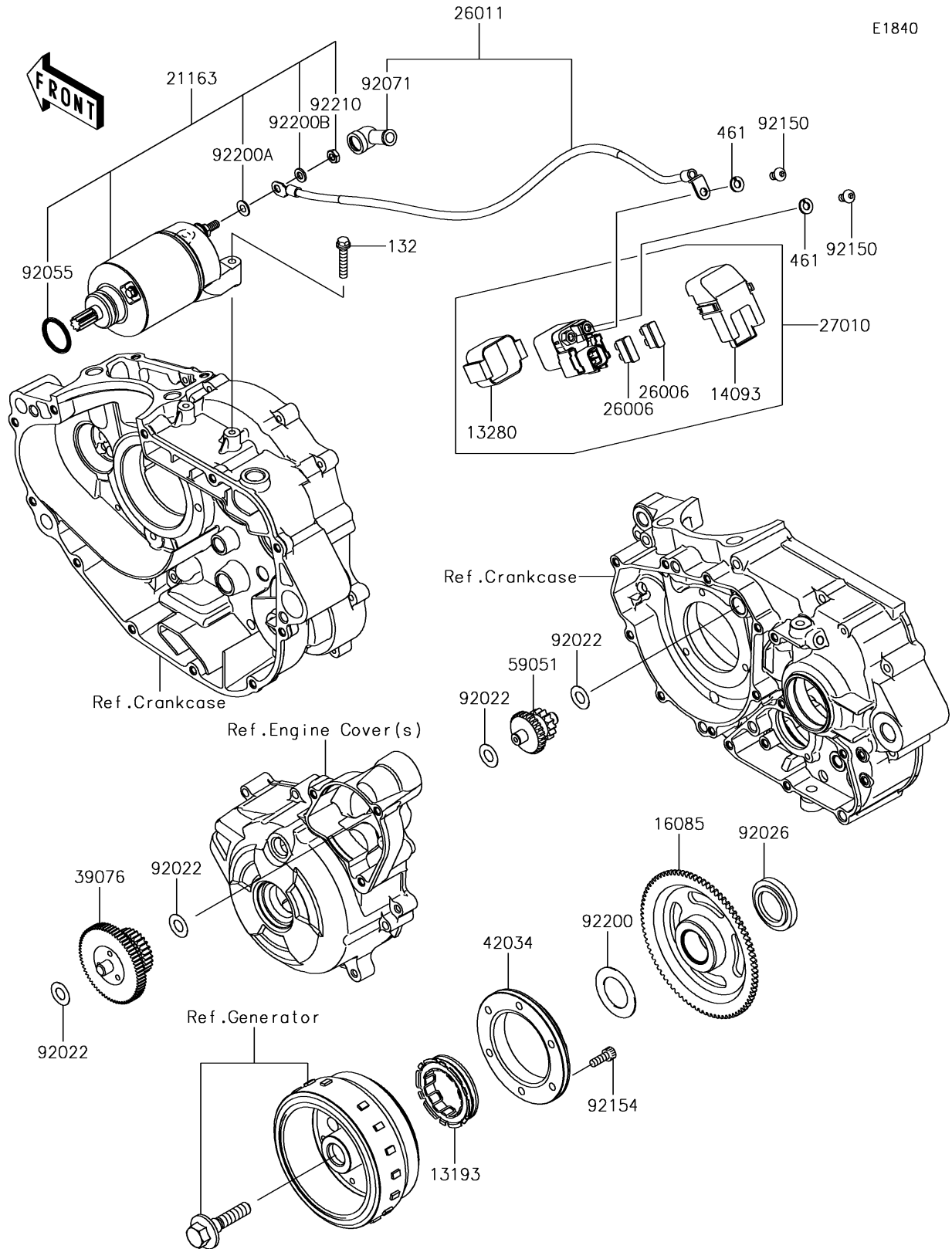


# 2016 Z250SL PARTS DIAGRAM

## Starter Motor



## 2016 Z250SL PARTS LIST

### Starter Motor

ITEM NAME	PART NUMBER	QUANTITY
CLUTCH-ASSY-ONEWAY (Ref # 13193)	13193-0007	1
BOLT-FLANGED-SMALL,6X30 (Ref # 132)	132BC0630	2
HOLDER (Ref # 13280)	13280-0710	1
COVER (Ref # 14093)	14093-0199	1
GEAR (Ref # 16085)	16085-0613	1
STARTER-ELECTRIC (Ref # 21163)	21163-0739	1
FUSE,BLADE,30A,GREEN (Ref # 26006)	26006-1006	2
WIRE-LEAD (Ref # 26011)	26011-0890	1
SWITCH (Ref # 27010)	27010-0754	1
LIMITER,STARTER IDLE GEAR (Ref # 39076)	39076-0020	1
COUPLING (Ref # 42034)	42034-0048	1
WASHER-SPRING,6MM (Ref # 461)	461DB0600	2
GEAR-SPUR,IDLER (Ref # 59051)	59051-0743	1
WASHER,10.2X20X0.5 (Ref # 92022)	92022-1649	4
SPACER (Ref # 92026)	92026-0762	1
RING-O (Ref # 92055)	92055-0822	1
GROMMET (Ref # 92071)	92071-0024	1
BOLT,6X10 (Ref # 92150)	92150-1577	2
BOLT,SOCKET,6X16 (Ref # 92154)	92154-0235	6
WASHER,27.2X44X1 (Ref # 92200)	92200-0908	1
WASHER (Ref # 92200A)	92200-1678	1
WASHER (Ref # 92200B)	92200-1679	1
NUT,6MM (Ref # 92210)	92210-0941	1