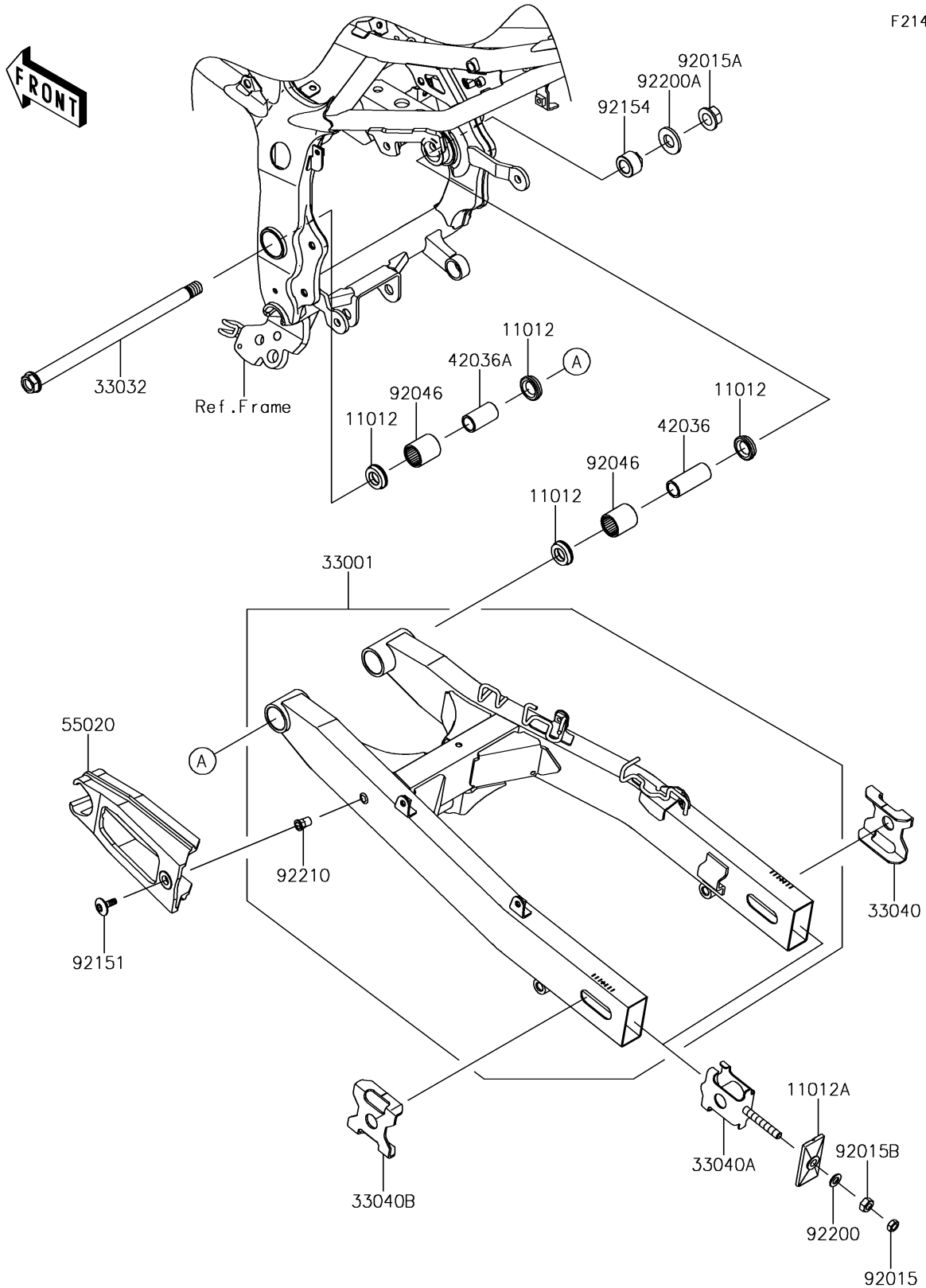


2018 Z250SL ABS PARTS DIAGRAM

Swingarm

F2141



2018 Z250SL ABS PARTS LIST

Swingarm

ITEM NAME	PART NUMBER	QUANTITY
CAP,SWING ARM (Ref # 11012)	11012-1259	4
CAP,CHAIN ADJUSTER,F.S.BLACK (Ref # 11012A)	11012-1871-18R	2
ARM-COMP-SWING,F.S.BLACK (Ref # 33001)	33001-0613-18R	1
SHAFT-SWING ARM,14X254 (Ref # 33032)	33032-0038	1
ADJUSTER-CHAIN,OUTER,RH (Ref # 33040)	33040-0044	1
ADJUSTER-CHAIN,INNER (Ref # 33040A)	33040-0045	2
ADJUSTER-CHAIN,OUTER,LH (Ref # 33040B)	33040-0046	1
SLEEVE,15X20X49 (Ref # 42036)	42036-0736	1
SLEEVE,SWING ARM (Ref # 42036A)	42036-1064	1
GUARD,CHAIN (Ref # 55020)	55020-0912	1
NUT,8MM (Ref # 92015)	92015-1364	2
NUT,14MM (Ref # 92015A)	92015-1407	1
NUT,8MM (Ref # 92015B)	92015-1658	2
BEARING-NEEDLE (Ref # 92046)	92046-0038	2
BOLT,SOCKET,6X18 (Ref # 92151)	92151-1149	1
BOLT,25X19 (Ref # 92154)	92154-1241	1
WASHER,8.5X16X1.2 (Ref # 92200)	92200-0905	2
WASHER,15.2X31X3.2 (Ref # 92200A)	92200-0953	1
NUT,POP,6MM,L=15 (Ref # 92210)	92210-1397	1