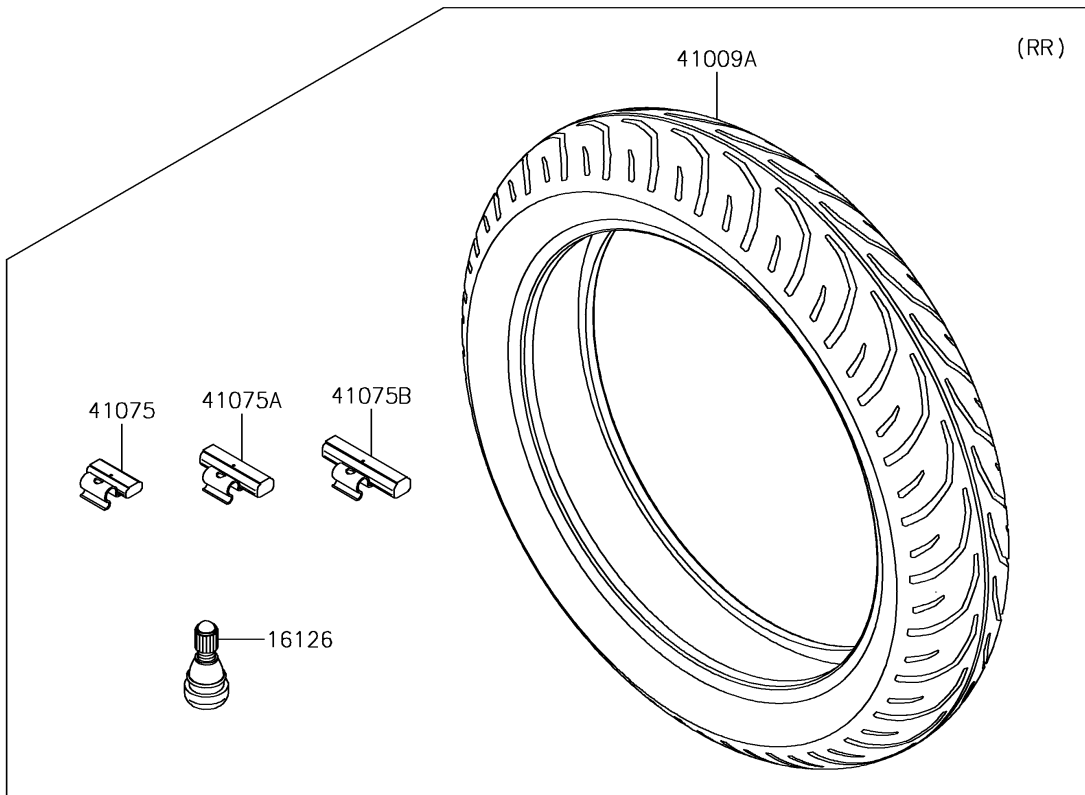
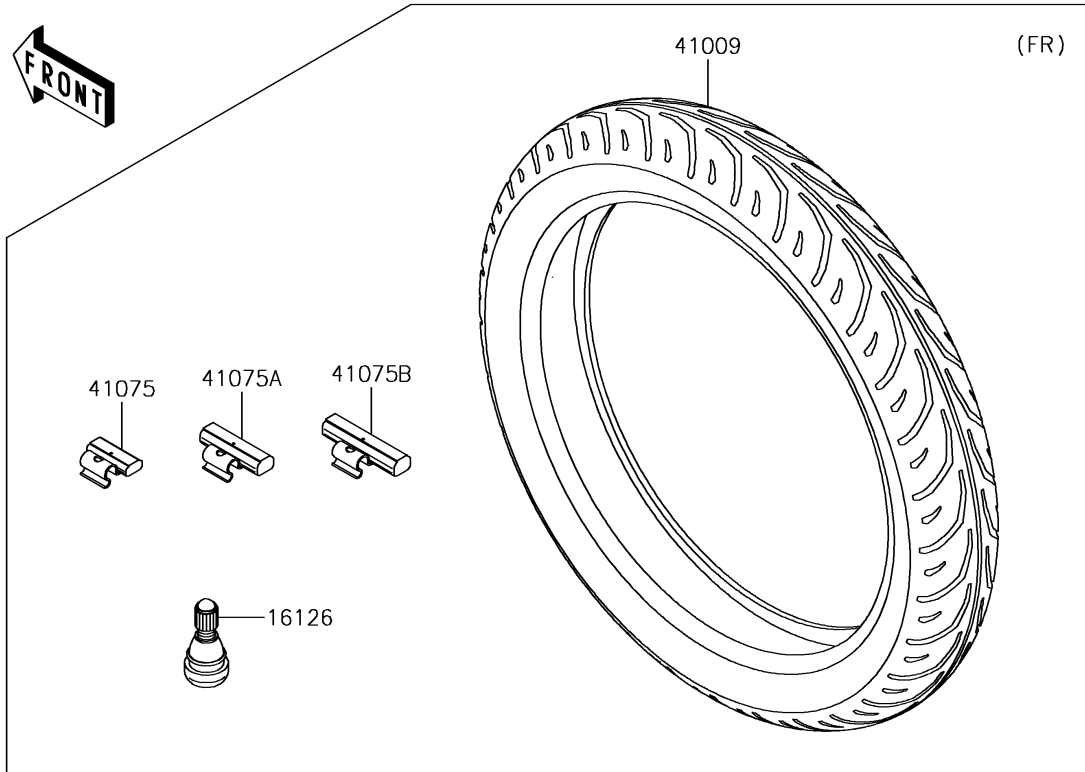


2016 Z250SL PARTS DIAGRAM

Tires

F2210



2016 Z250SL PARTS LIST

Tires

ITEM NAME	PART NUMBER	QUANTITY
VALVE,TIRE (Ref # 16126)	16126-1140	2
TIRE,FR,100/80-17 52S,TT900F (Ref # 41009)	41009-0549	1
TIRE,RR,130/70-17 62S,TT900 (Ref # 41009A)	41009-0550	1
BALANCER-WHEEL,10G,SILVER (Ref # 41075)	41075-0007	AR
BALANCER-WHEEL,20G,SILVER (Ref # 41075A)	41075-0008	AR
BALANCER-WHEEL,30G,SILVER (Ref # 41075B)	41075-0009	AR