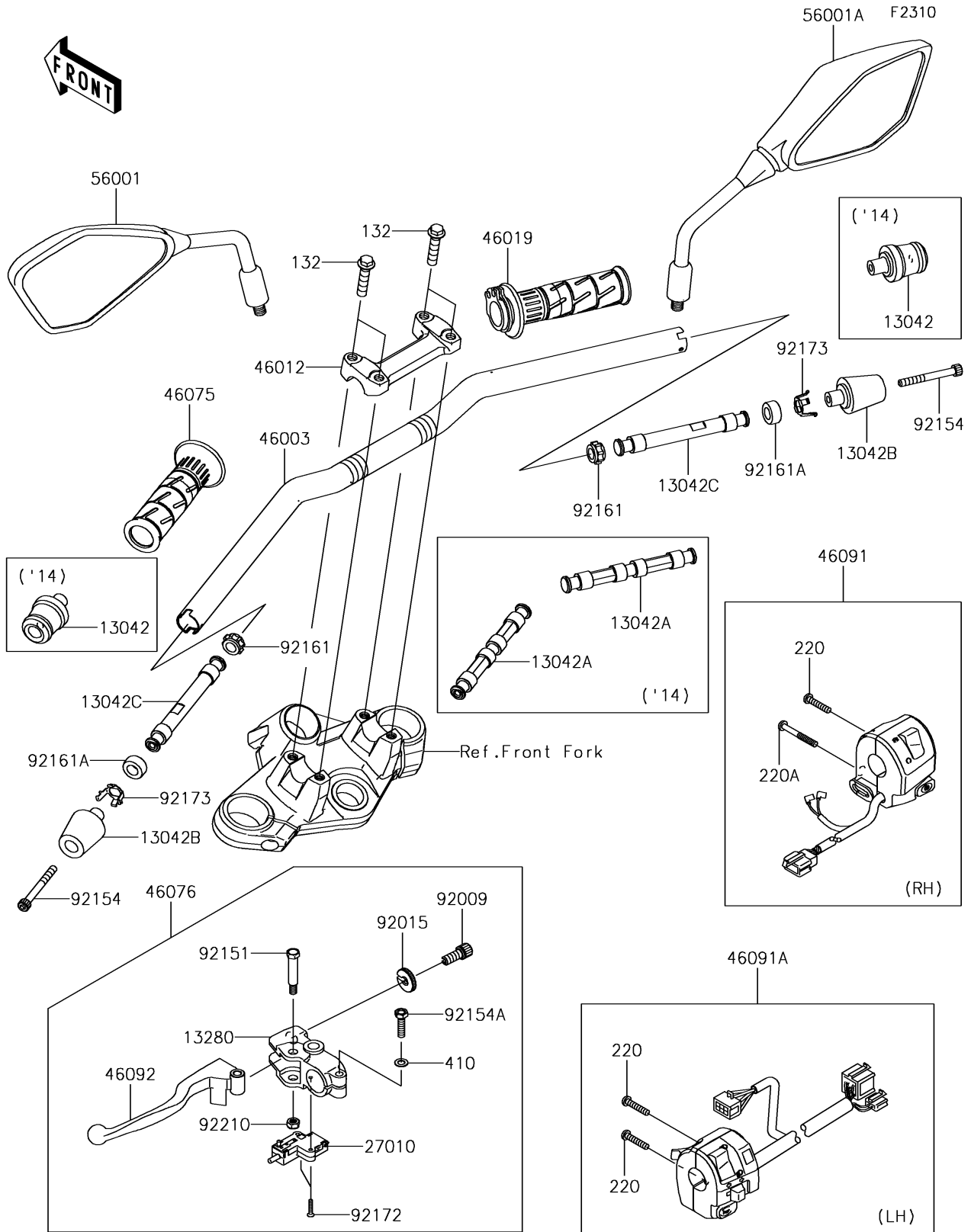


2015 Z250SL PARTS DIAGRAM

Handlebar



2015 Z250SL PARTS LIST

Handlebar

| ITEM NAME | PART NUMBER | QUANTITY |
|---|---------------|----------|
| WEIGHT,HANDLE,END (Ref # 13042B) | 13042-0725 | 2 |
| WEIGHT,HANDLE,INSIDE (Ref # 13042C) | 13042-0733 | 2 |
| BOLT-FLANGED-SMALL,8X35 (Ref # 132) | 132BA0835 | 4 |
| HOLDER,CLUTCH LEVER (Ref # 13280) | 13280-0105 | 1 |
| SCREW-PAN-CROS,5X25 (Ref # 220) | 220AB0525 | 3 |
| SCREW-PAN-CROS,5X40 (Ref # 220A) | 220AB0540 | 1 |
| SWITCH,CLUTCH (Ref # 27010) | 27010-0729 | 1 |
| WASHER-PLAIN-SMALL,6MM (Ref # 410) | 410AB0600 | 1 |
| HANDLE (Ref # 46003) | 46003-0645 | 1 |
| HOLDER-HANDLE,TOP,F.BLACK (Ref # 46012) | 46012-0308-21 | 1 |
| GRIP-ASSY,THROTTLE (Ref # 46019) | 46019-0043 | 1 |
| GRIP,LH (Ref # 46075) | 46075-0007 | 1 |
| LEVER-ASSY-GRIP,CLUTCH (Ref # 46076) | 46076-0090 | 1 |
| HOUSING-ASSY-CONTROL,RH (Ref # 46091) | 46091-0307 | 1 |
| HOUSING-ASSY-CONTROL,LH (Ref # 46091A) | 46091-0308 | 1 |
| LEVER-GRIP,CLUTCH (Ref # 46092) | 46092-0050 | 1 |
| MIRROR-ASSY,LH (Ref # 56001) | 56001-0243 | 1 |
| MIRROR-ASSY,RH (Ref # 56001A) | 56001-0244 | 1 |
| SCREW,CABLE ADJUST,8MM,BLACK (Ref # 92009) | 92009-1134 | 1 |
| NUT,CABLE ADJUST LOCK,8MM,BLK (Ref # 92015) | 92015-1197 | 1 |
| BOLT,LEVER SET (Ref # 92151) | 92151-1986 | 1 |
| BOLT,SOCKET,6X55 (Ref # 92154) | 92154-1299 | 2 |
| BOLT,UPSET,6X22 (Ref # 92154A) | 92154-1422 | 1 |
| DAMPER,10X20X10,IN (Ref # 92161) | 92161-1600 | 2 |
| DAMPER,10X20X10,OUT (Ref # 92161A) | 92161-1741 | 2 |
| SCREW,3X16 (Ref # 92172) | 92172-0788 | 2 |
| CLAMP,WEIGHT (Ref # 92173) | 92173-1386 | 2 |
| NUT,LOCK,6MM (Ref # 92210) | 92210-0006 | 1 |