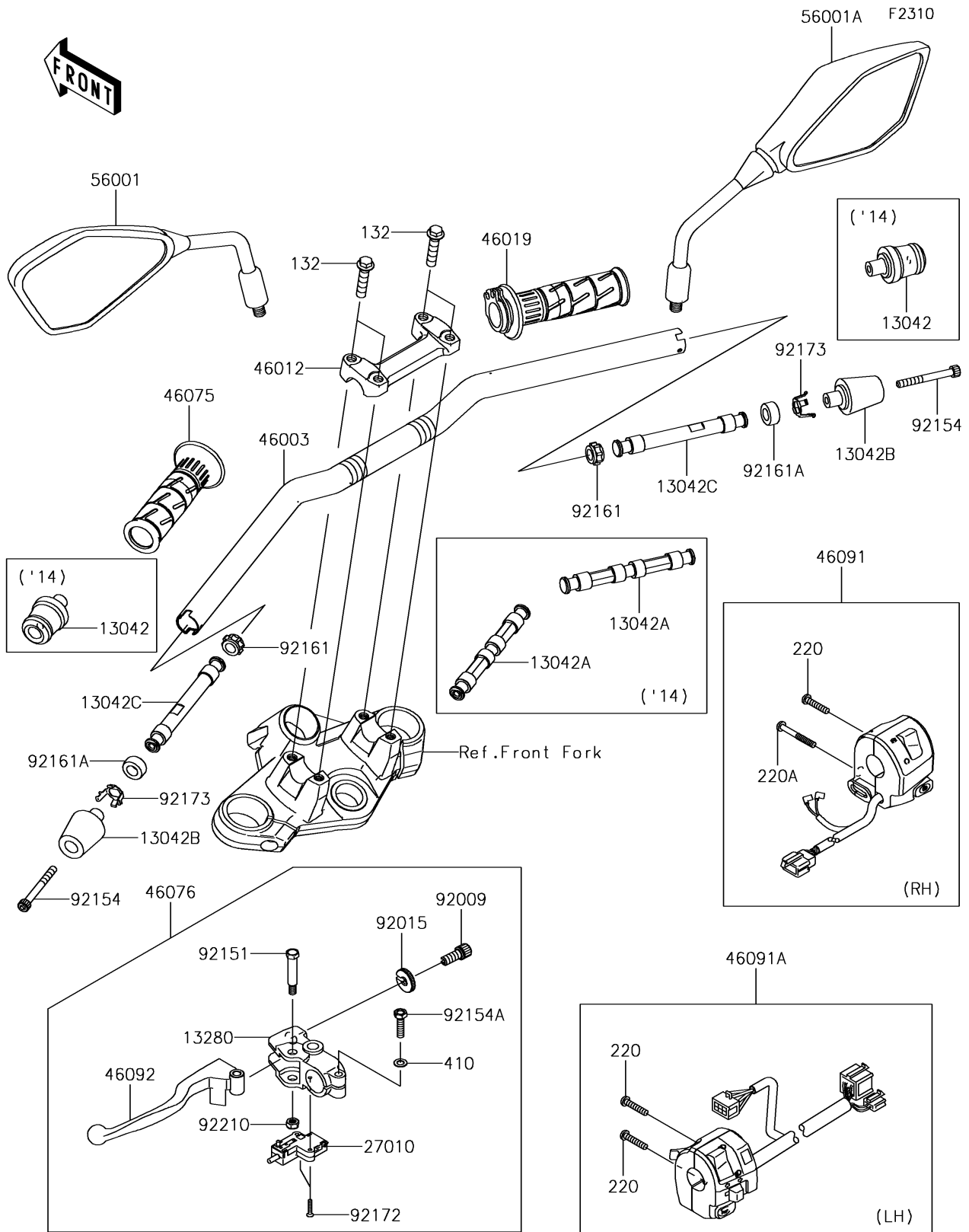


# 2016 Z250SL PARTS DIAGRAM

Handlebar



## 2016 Z250SL PARTS LIST

### Handlebar

ITEM NAME	PART NUMBER	QUANTITY
WEIGHT,HANDLE,END (Ref # 13042B)	13042-0725	2
WEIGHT,HANDLE,INSIDE (Ref # 13042C)	13042-0733	2
BOLT-FLANGED-SMALL,8X35 (Ref # 132)	132BA0835	4
HOLDER,CLUTCH LEVER (Ref # 13280)	13280-0105	1
SCREW-PAN-CROS,5X25 (Ref # 220)	220AB0525	3
SCREW-PAN-CROS,5X40 (Ref # 220A)	220AB0540	1
SWITCH,CLUTCH (Ref # 27010)	27010-0729	1
WASHER-PLAIN-SMALL,6MM (Ref # 410)	410AB0600	1
HANDLE (Ref # 46003)	46003-0645	1
HOLDER-HANDLE,TOP,F.BLACK (Ref # 46012)	46012-0308-21	1
GRIP-ASSY,THROTTLE (Ref # 46019)	46019-0043	1
GRIP,LH (Ref # 46075)	46075-0007	1
LEVER-ASSY-GRIP,CLUTCH (Ref # 46076)	46076-0090	1
HOUSING-ASSY-CONTROL,RH (Ref # 46091)	46091-0307	1
HOUSING-ASSY-CONTROL,LH (Ref # 46091A)	46091-0308	1
LEVER-GRIP,CLUTCH (Ref # 46092)	46092-0050	1
MIRROR-ASSY,LH (Ref # 56001)	56001-0243	1
MIRROR-ASSY,RH (Ref # 56001A)	56001-0244	1
SCREW,CABLE ADJUST,8MM,BLACK (Ref # 92009)	92009-1134	1
NUT,CABLE ADJUST LOCK,8MM,BLK (Ref # 92015)	92015-1197	1
BOLT,LEVER SET (Ref # 92151)	92151-1986	1
BOLT,SOCKET,6X55 (Ref # 92154)	92154-1299	2
BOLT,UPSET,6X22 (Ref # 92154A)	92154-1422	1
DAMPER,10X20X10,IN (Ref # 92161)	92161-1600	2
DAMPER,10X20X10,OUT (Ref # 92161A)	92161-1741	2
SCREW,3X16 (Ref # 92172)	92172-0788	2
CLAMP,WEIGHT (Ref # 92173)	92173-1386	2
NUT,LOCK,6MM (Ref # 92210)	92210-0006	1