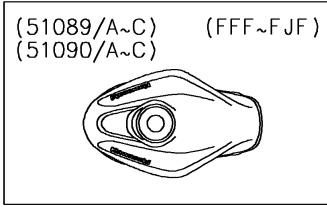
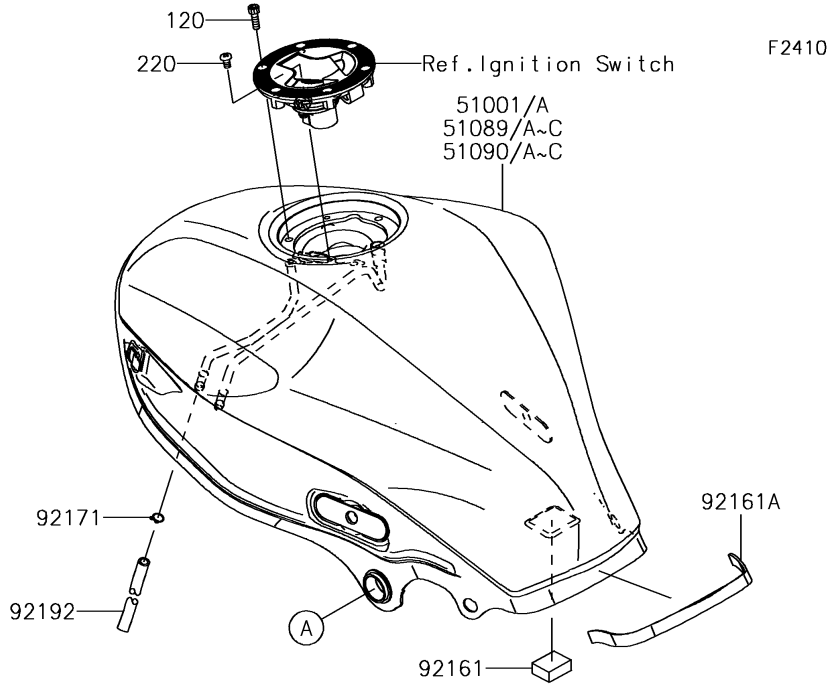


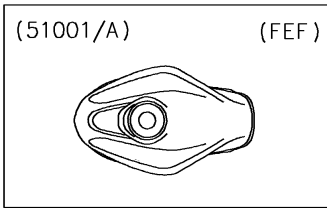
2015 Z250SL PARTS DIAGRAM

Fuel Tank



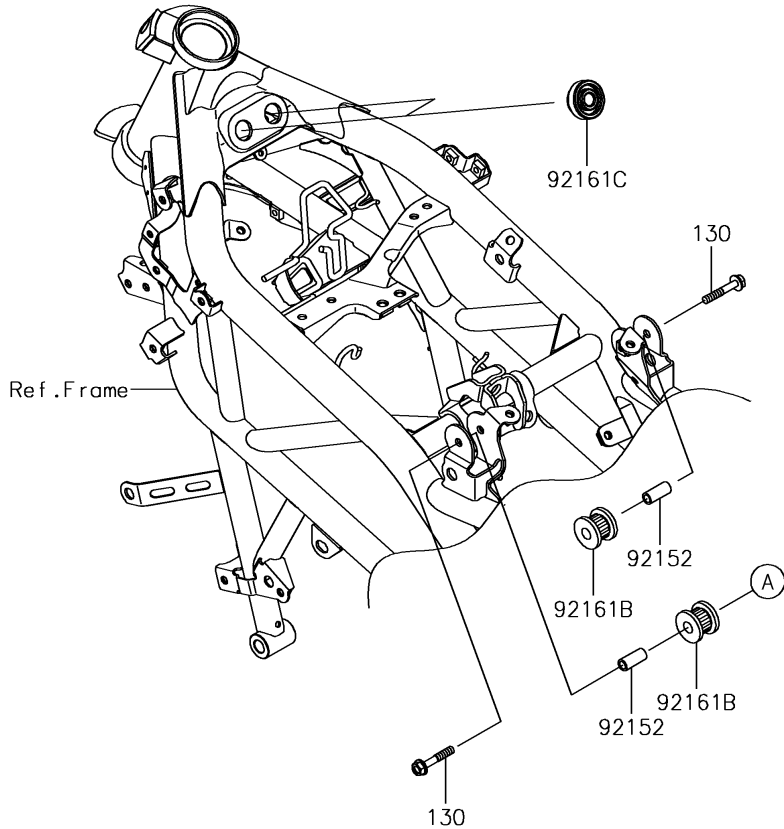
WD

(51089)	Red
(51089A)	Gray
(51089B)	Black
(51089C)	Ebony
(51090)	Red
(51090A)	Gray
(51090B)	Blue
(51090C)	Ebony



WOD

(51001)	Orange
(51001A)	Green



2015 Z250SL PARTS LIST

Fuel Tank

ITEM NAME	PART NUMBER	QUANTITY
BOLT-SOCKET,5X16 (Ref # 120)	120CB0516	6
BOLT-FLANGED,6X35 (Ref # 130)	130BA0635	2
SCREW-PAN-CROS,5X8 (Ref # 220)	220AB0508	1
TANK-COMP-FUEL,P.RED (Ref # 51089)	51089-5270-234	1
TANK-COMP-FUEL,EBONY (Ref # 51089C)	51089-5271-H8	1
COLLAR,6.8X10X23 (Ref # 92152)	92152-1767	2
DAMPER (Ref # 92161)	92161-0718	1
DAMPER,10X220X2 (Ref # 92161A)	92161-1575	1
DAMPER,10X27.8X21.4 (Ref # 92161B)	92161-1641	2
DAMPER,10X32X17 (Ref # 92161C)	92161-1642	2
CLAMP (Ref # 92171)	92171-0573	1
TUBE,6X9X810 (Ref # 92192)	92192-1429	1