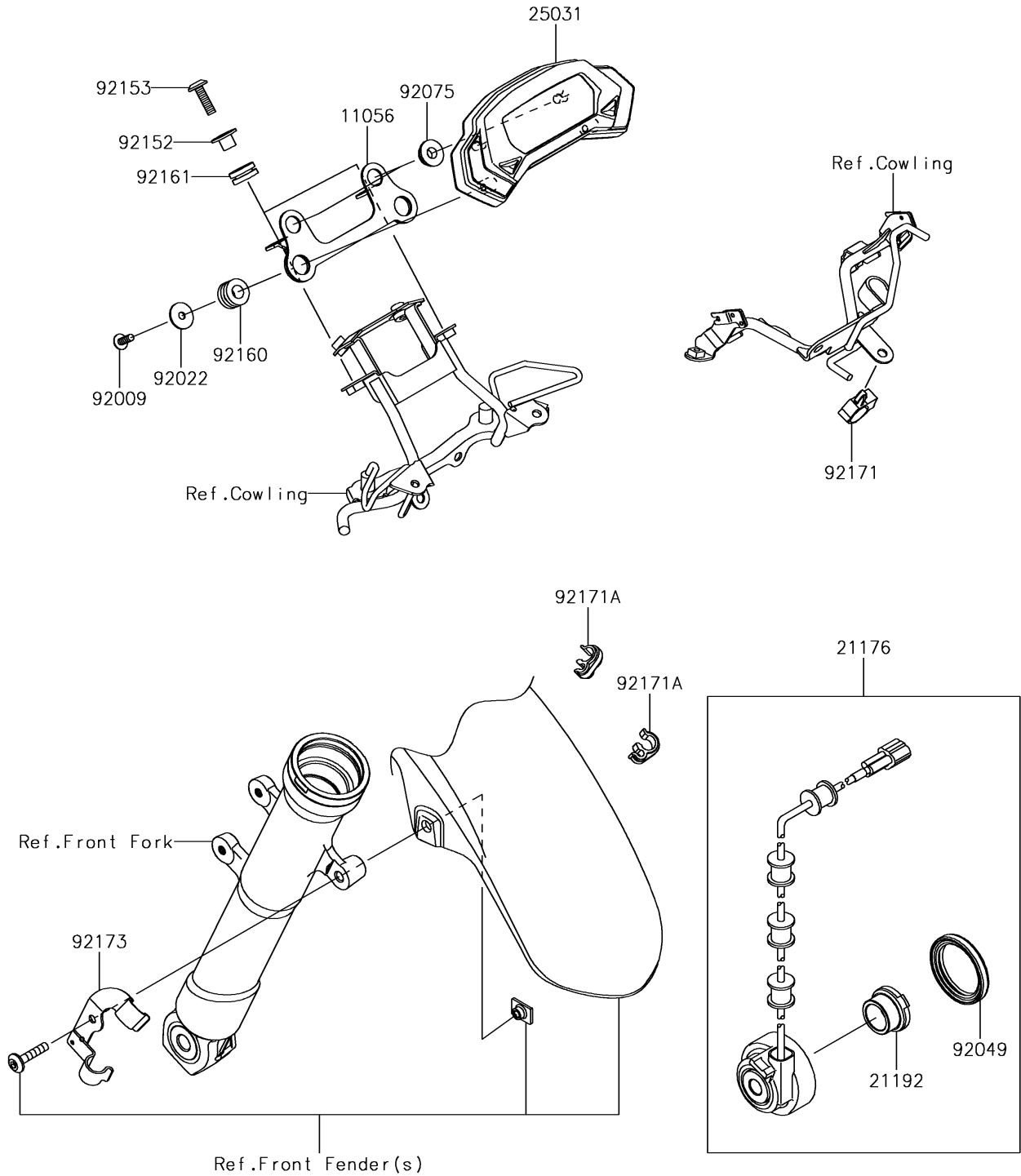


2016 Z250SL PARTS DIAGRAM

Meter(s)

F2530



2016 Z250SL PARTS LIST

Meter(s)

ITEM NAME	PART NUMBER	QUANTITY
BRACKET,METER (Ref # 11056)	11056-4253	1
SENSOR,SPEED (Ref # 21176)	21176-0759	1
MAGNET,SPEED SENSOR (Ref # 21192)	21192-0004	1
METER-ASSY,COMBINATION,ABS (Ref # 25031)	25031-0668	1
SCREW,TAPPING,5X14 (Ref # 92009)	92009-1197	2
WASHER,5.5X20X1.2 (Ref # 92022)	92022-1405	2
SEAL-OIL,METER GEAR CASE (Ref # 92049)	92049-1172	1
DAMPER,RADIATOR GUARD (Ref # 92075)	92075-1469	2
COLLAR,6.8X10X10.8 (Ref # 92152)	92152-1884	2
BOLT,SOCKET,6X22 (Ref # 92153)	92153-0574	2
DAMPER,10X20X12 (Ref # 92160)	92160-1167	2
DAMPER,10X20X8.8 (Ref # 92161)	92161-1664	2
CLAMP,BRAKE HOSE (Ref # 92171)	92171-0316	1
CLAMP,BRAKE HOSE (Ref # 92171A)	92171-1819	2
CLAMP,FR FENDER (Ref # 92173)	92173-1119	1