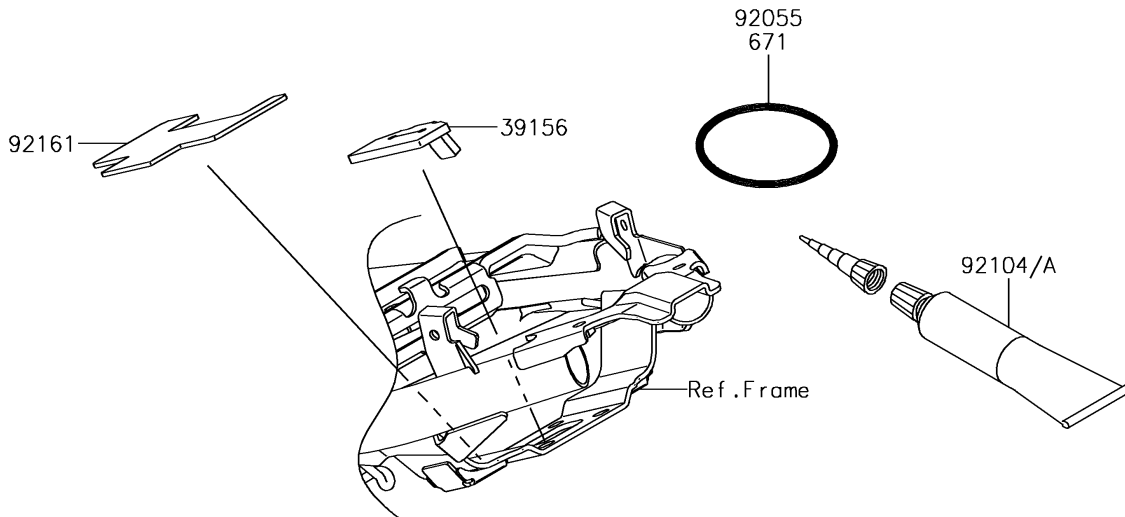
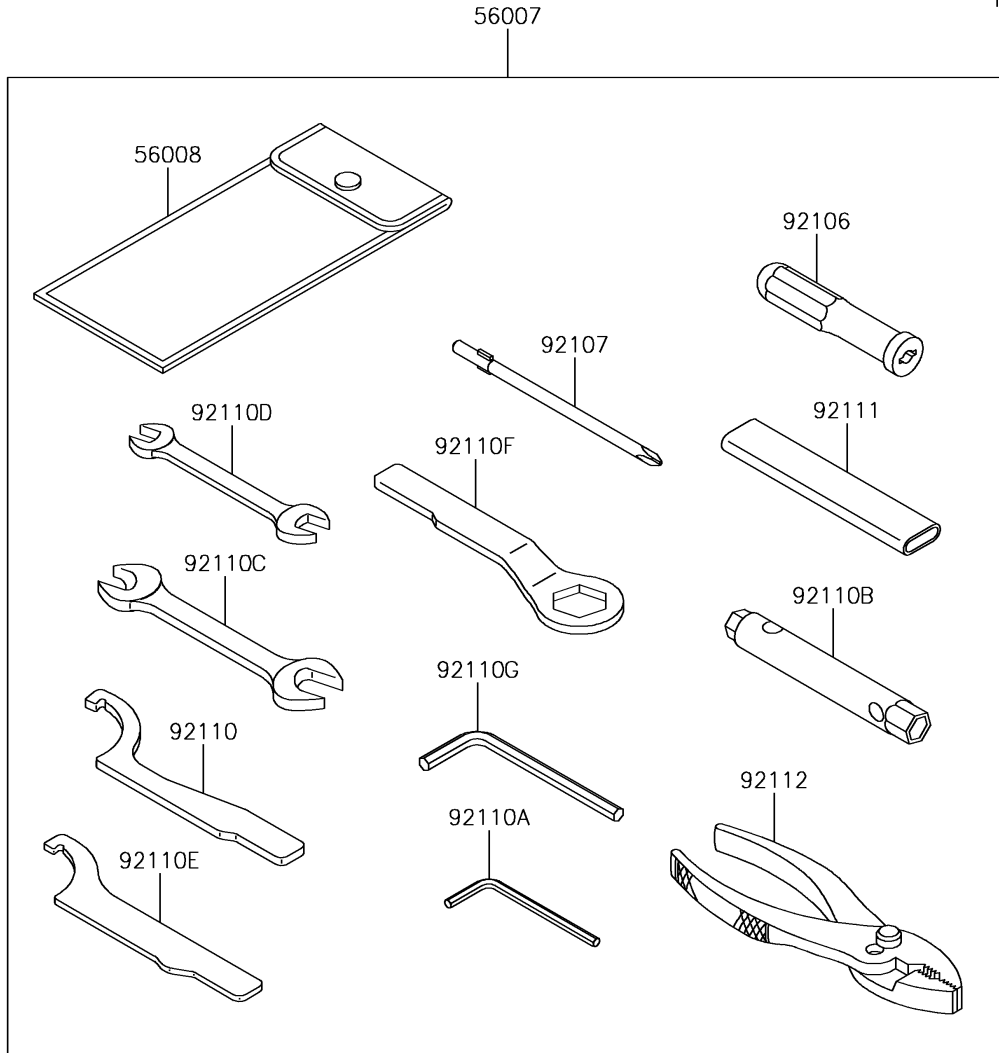


# 2016 Z250SL PARTS DIAGRAM

Owner's Tools

F2810



## 2016 Z250SL PARTS LIST

### Owner's Tools

ITEM NAME	PART NUMBER	QUANTITY
PAD,TOOL CASE (Ref # 39156)	39156-1843	1
TOOL-KIT (Ref # 56007)	56007-0123	1
BAG,TOOL (Ref # 56008)	56008-0050	1
RING-O,59.4X3.1 (Ref # 92055)	92055-0880	1
GASKET-LIQUID,TB1211F,CLEAR (Ref # 92104)	92104-0004	1
GASKET-LIQUID,TB1216B,BLACK (Ref # 92104A)	92104-1064	1
GRIP-SCREW DRIVER (Ref # 92106)	92106-0005	1
TOOL-DRIVER,#2PHILLIPS (Ref # 92107)	92107-0022	1
TOOL-WRENCH,HOOK,R30,UP (Ref # 92110)	92110-0572	1
TOOL-WRENCH,ALLEN,4MM (Ref # 92110A)	92110-0583	1
TOOL-WRENCH,BOX,8X10 (Ref # 92110B)	92110-0584	1
TOOL-WRENCH,OPEN END,14X17 (Ref # 92110C)	92110-0585	1
TOOL-WRENCH,OPEN END,12X14 (Ref # 92110D)	92110-0586	1
TOOL-WRENCH,HOOK,R30 (Ref # 92110E)	92110-0591	1
TOOL-WRENCH,BOX END,24MM (Ref # 92110F)	92110-0598	1
TOOL-WRENCH,ALLEN,6MM (Ref # 92110G)	92110-0599	1
TOOL-BAR (Ref # 92111)	92111-1057	1
TOOL-PLIERS (Ref # 92112)	92112-0008	1
DAMPER,TOOL BAG (Ref # 92161)	92161-1735	1