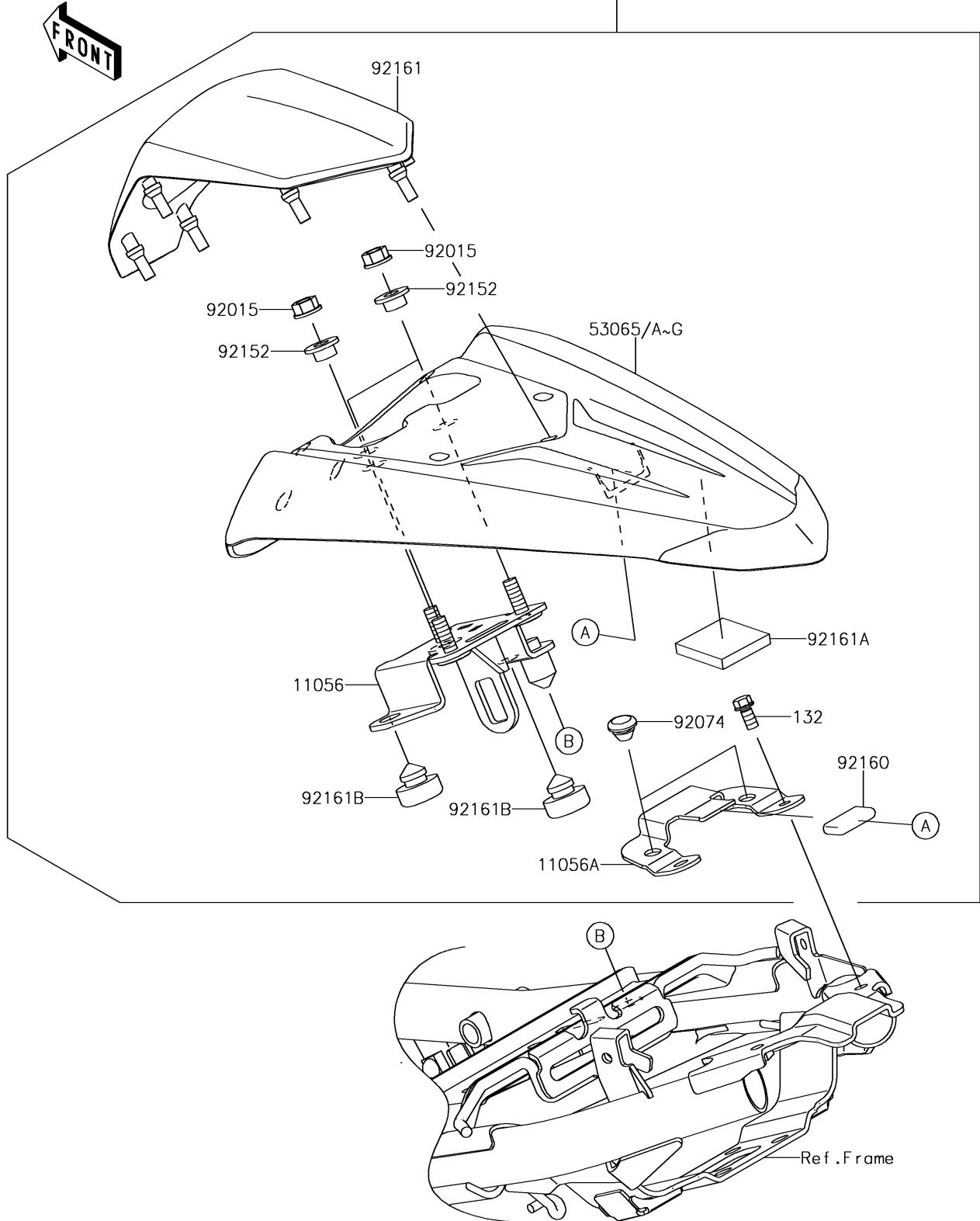


# 2015 Z250SL PARTS DIAGRAM

Accessory

99994/A~G

F2910



## 2015 Z250SL PARTS LIST

### Accessory

ITEM NAME	PART NUMBER	QUANTITY
BRACKET (Ref # 11056)	11056-2560	1
BRACKET (Ref # 11056A)	11056-2771	1
BOLT-FLANGED-SMALL,5X10 (Ref # 132)	132BA0510	2
COVER SEAT,P.RED (Ref # 53065A)	53065-0025-234	1
COVER SEAT,EBONY (Ref # 53065G)	53065-0025-H8	1
NUT,FLANGED,6MM (Ref # 92015)	92015-1367	3
PLUG,7X2 (Ref # 92074)	92074-028	2
COLLAR,6.8X10(16)X6.6 (Ref # 92152)	92152-0842	3
DAMPER (Ref # 92160)	92160-1190	1
DAMPER,CUSHION (Ref # 92161)	92161-1569	1
DAMPER (Ref # 92161A)	92161-1591	1
DAMPER,10X20X8 (Ref # 92161B)	92161-1609	2
KIT,SINGLE SEAT,P.RED (Ref # 99994A)	99994-0403-234	1
KIT,SINGLE SEAT,EBONY (Ref # 99994G)	99994-0403-H8	1