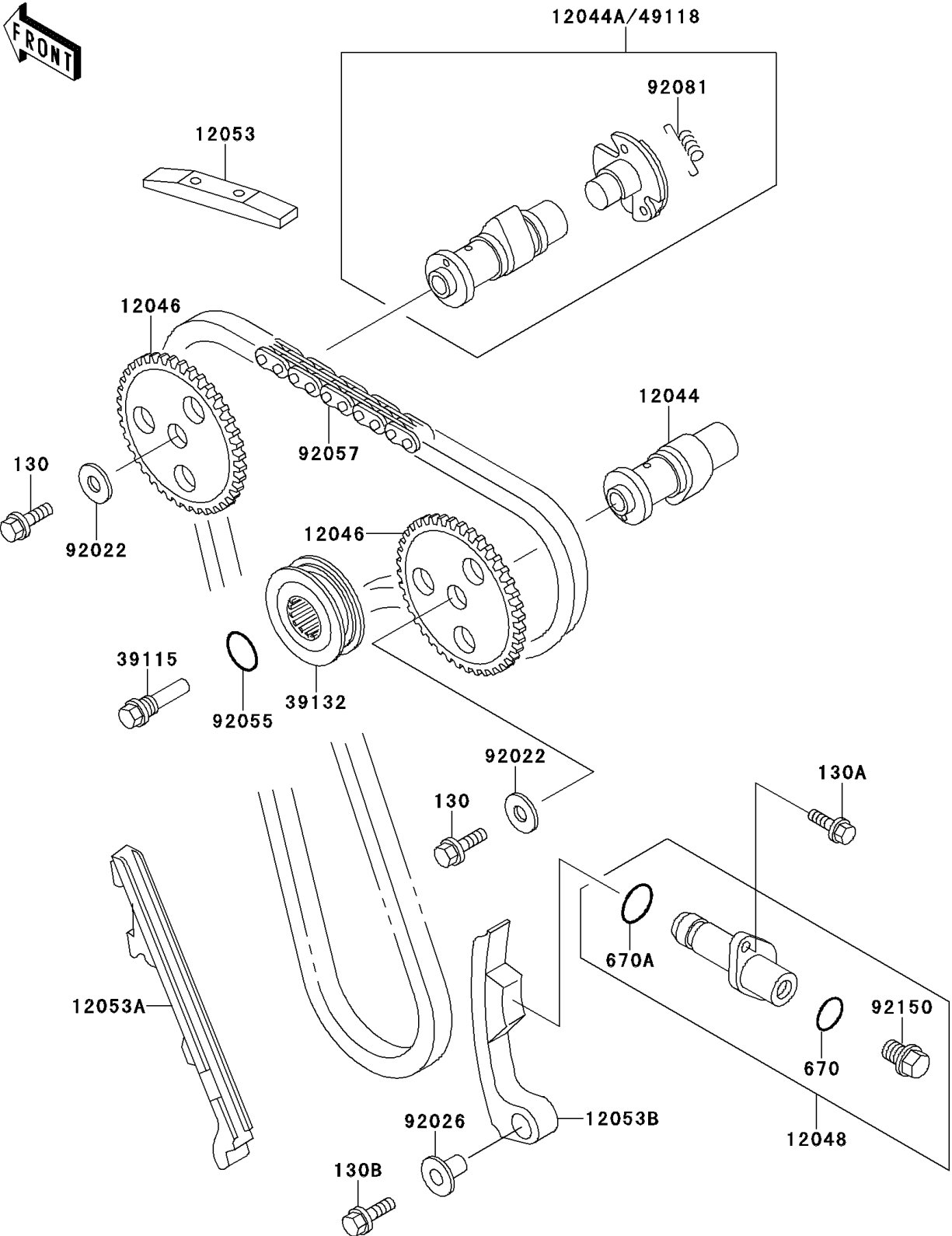


1997 Mojave 250 PARTS DIAGRAM

Camshaft(s)/Tensioner

E1230



1997 Mojave 250 PARTS LIST

Camshaft(s)/Tensioner

ITEM NAME	PART NUMBER	QUANTITY
-----------	-------------	----------