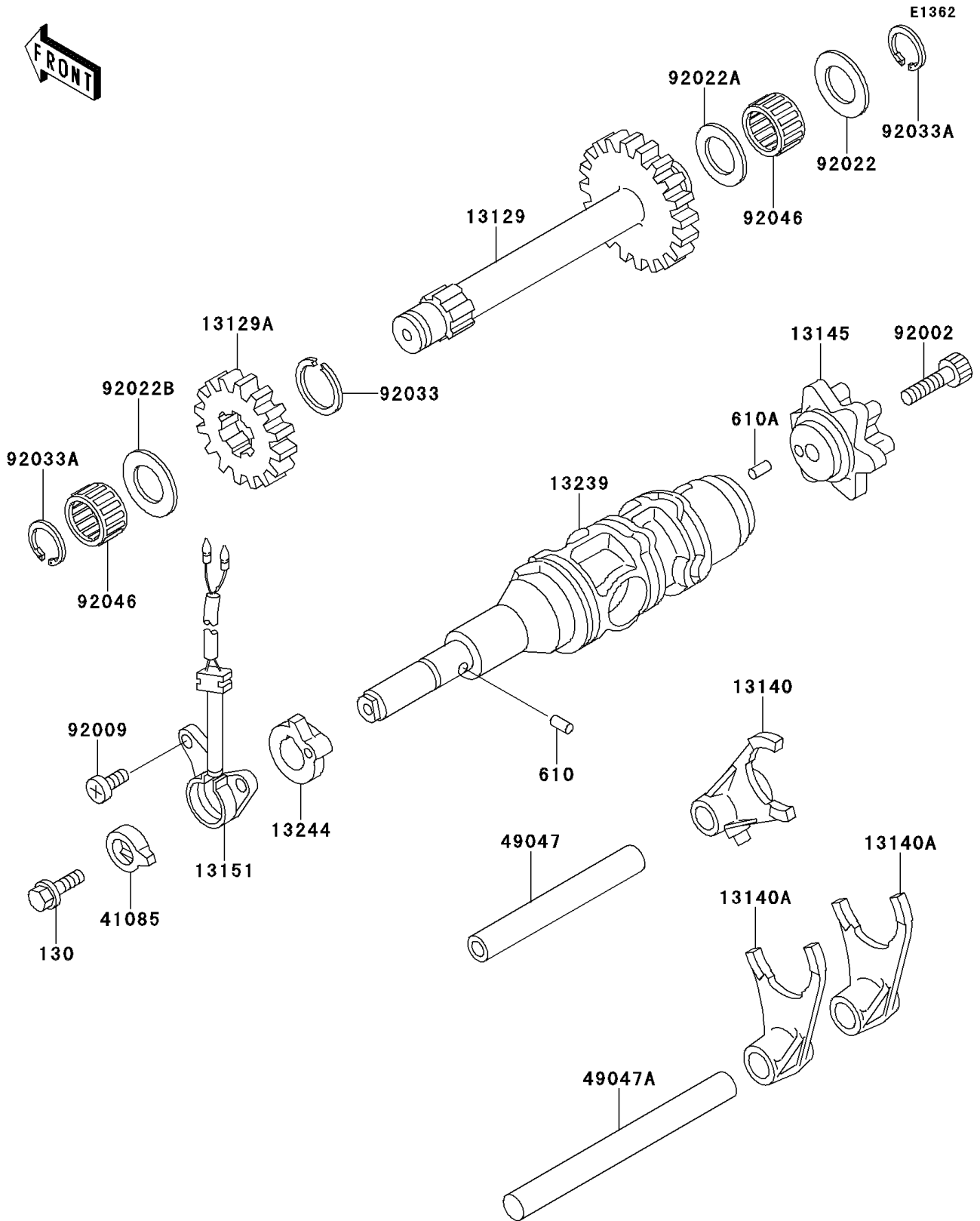


# 1997 Mojave 250 PARTS DIAGRAM

Gear Change Drum/Shift Fork(s)



# 1997 Mojave 250 PARTS LIST

## Gear Change Drum/Shift Fork(s)

ITEM NAME	PART NUMBER	QUANTITY
BOLT-FLANGED (Ref # 130)	130C0510	1
ROLLER,4X6 (Ref # 610)	610A0406	1
ROLLER,4X10 (Ref # 610A)	610A0410	1
GEAR-REVERSE,SHAFT (Ref # 13129)	13129-1806	1
GEAR-REVERSE,18T (Ref # 13129A)	13129-1807	1
FORK-SHIFT (Ref # 13140)	13140-1134	1
FORK-SHIFT (Ref # 13140A)	13140-1135	2
CAM-CHANGE DRUM (Ref # 13145)	13145-1061	1
SWITCH-COMP (Ref # 13151)	13151-1074	1
DRUM-ASSY-CHANGE (Ref # 13239)	13239-1161	1
STOPPER-ASSY,RELERSE (Ref # 13244)	13244-1056	1
INDICATOR,CHANGE DRUM (Ref # 41085)	41085-1004	1
ROD-SHIFT,L=93.7 (Ref # 49047)	49047-1003	1
ROD-SHIFT (Ref # 49047A)	49047-1062	1
BOLT,SOCKET,6X25 (Ref # 92002)	92002-1696	1
SCREW,5X14 (Ref # 92009)	92009-1341	2
WASHER,17.3X22X0.5 (Ref # 92022)	92022-1799	1
WASHER,17.3X30X0.5 (Ref # 92022A)	92022-1805	1
WASHER,17.3X28X1 (Ref # 92022B)	92022-255	1
RING-SNAP,20X25.5X1.2 (Ref # 92033)	92033-025	1
RING-SNAP (Ref # 92033A)	92033-032	2
BEARING-NEEDLE,K17X23X13.8X (Ref # 92046)	92046-1059	2