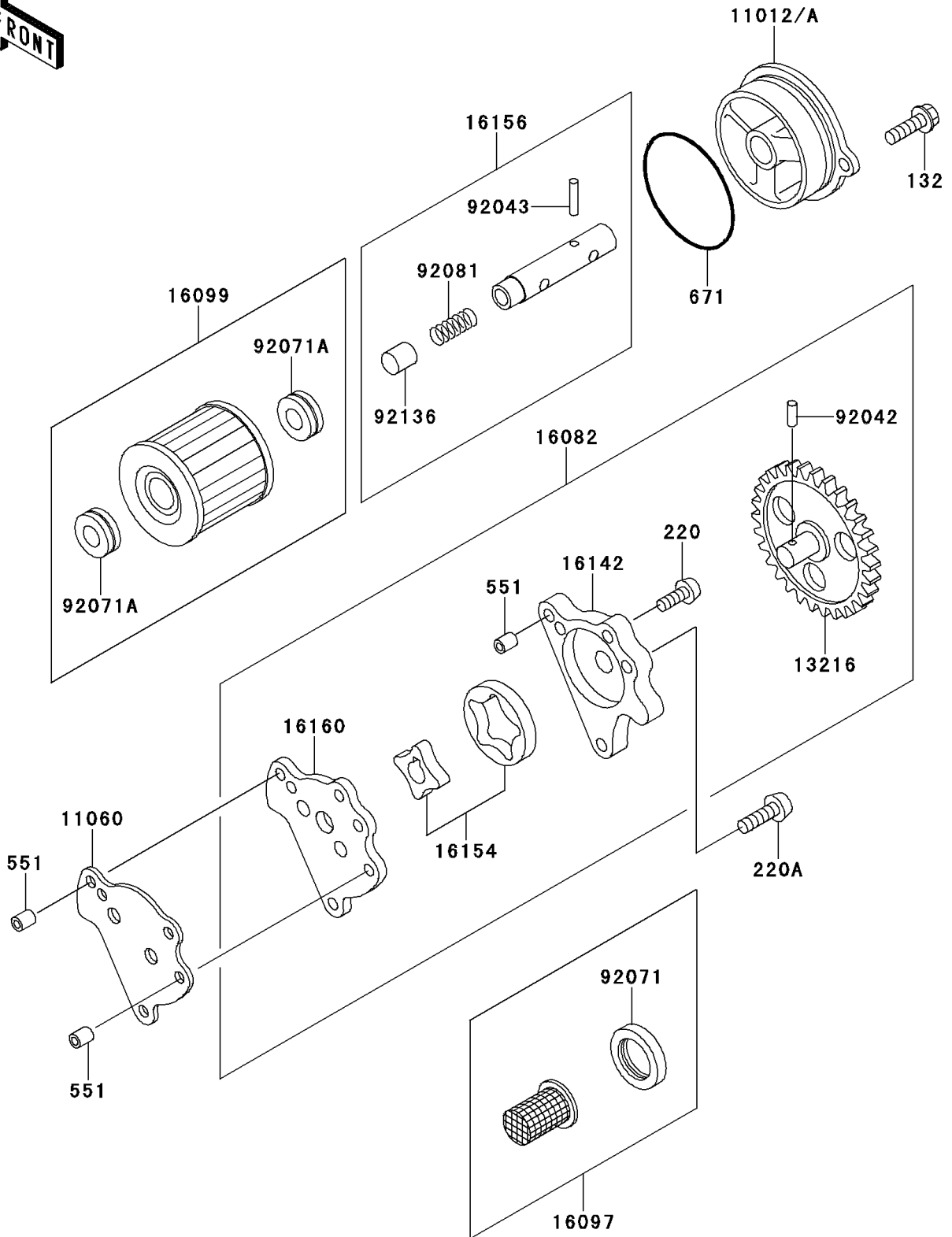


1999 Mojave 250 PARTS DIAGRAM

Oil Pump/Oil Filter



E1710



1999 Mojave 250 PARTS LIST

Oil Pump/Oil Filter

| ITEM NAME | PART NUMBER | QUANTITY |
|---|-------------|----------|
| BOLT-FLANGED-SMALL (Ref # 132) | 132J0620 | 2 |
| SCREW-PAN-CROS,6X14 (Ref # 220) | 220B0614 | 1 |
| SCREW-PAN-CROS,6X25 (Ref # 220A) | 220B0625 | 3 |
| PIN-DOWEL,6X8 (Ref # 551) | 551A0608 | 3 |
| O RING,55MM (Ref # 671) | 671B2555 | 1 |
| CAP,OIL FILTER (Ref # 11012A) | 11012-1695 | 1 |
| GASKET,OIL PUMP (Ref # 11060) | 11060-1130 | 1 |
| GEAR-COMP,OIL PUMP (Ref # 13216) | 13216-1096 | 1 |
| PUMP-ASSY-OIL (Ref # 16082) | 16082-1082 | 1 |
| FILTER-ASSY-OIL (Ref # 16097) | 16097-1001 | 1 |
| ELEMENT-OIL FILTER (Ref # 16099) | 16099-004 | 1 |
| COVER-PUMP (Ref # 16142) | 16142-1056 | 1 |
| ROTOR-PUMP (Ref # 16154) | 16154-1008 | 1 |
| PISTON-ASSY,VALVE,BY-PASS (Ref # 16156) | 16156-002 | 1 |
| BODY,OIL PUMP (Ref # 16160) | 16160-1069 | 1 |
| PIN,DOWEL,4X12.8 (Ref # 92042) | 92042-041 | 1 |
| PIN,SPRING,2.2X13.5 (Ref # 92043) | 92043-123 | 1 |
| GROMMET,OIL STRAINER (Ref # 92071) | 92071-100 | 1 |
| GROMMET,OIL FILTER (Ref # 92071A) | 92071-101 | 2 |
| SPRING,PISTON (Ref # 92081) | 92081-043 | 1 |
| VALVE (Ref # 92136) | 92136-002 | 1 |