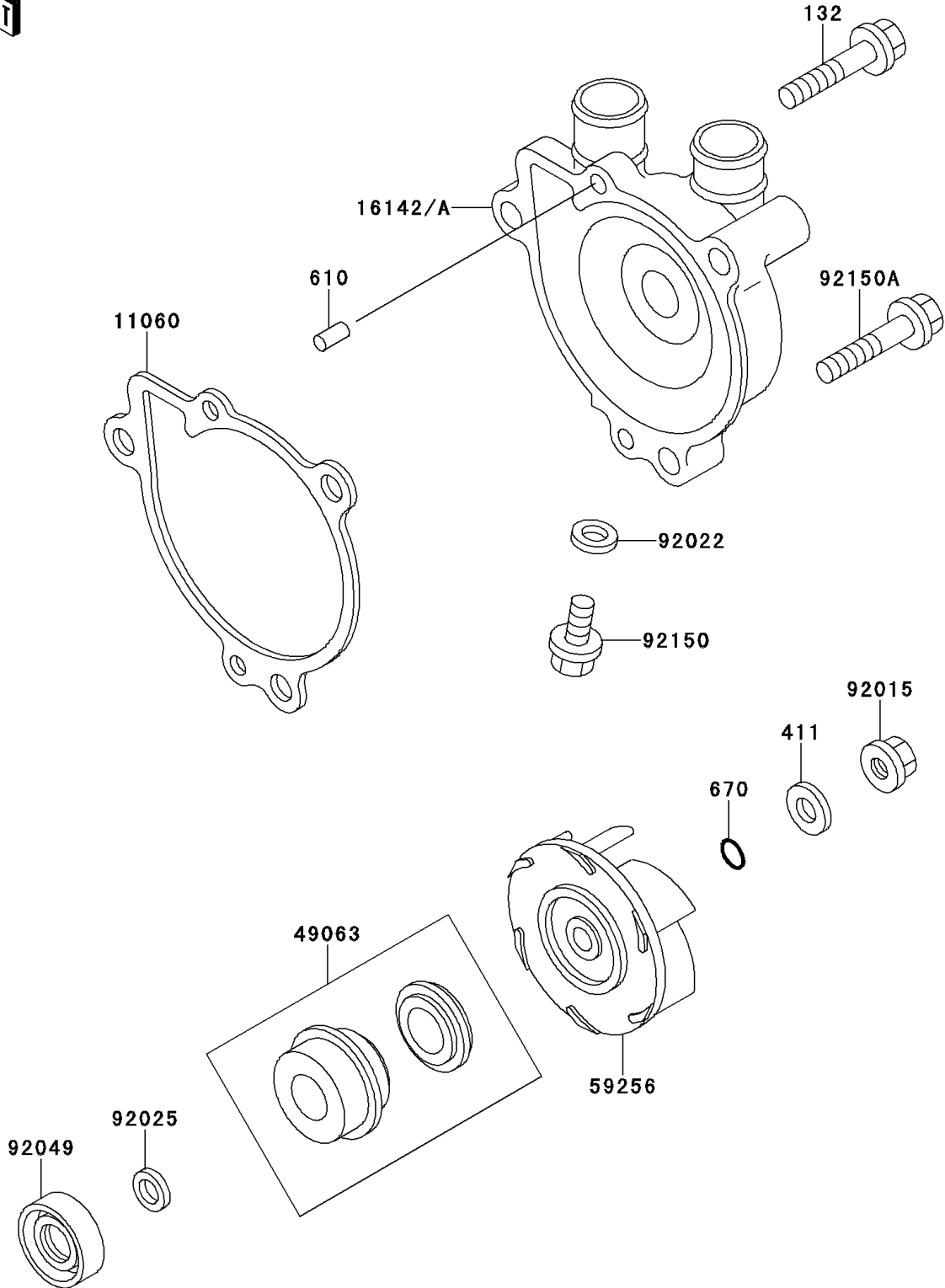


2000 Mojave 250 PARTS DIAGRAM

Water Pump

E3031



2000 Mojave 250 PARTS LIST

Water Pump

ITEM NAME	PART NUMBER	QUANTITY
-----------	-------------	----------