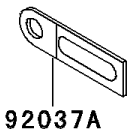
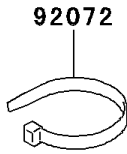
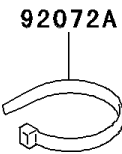
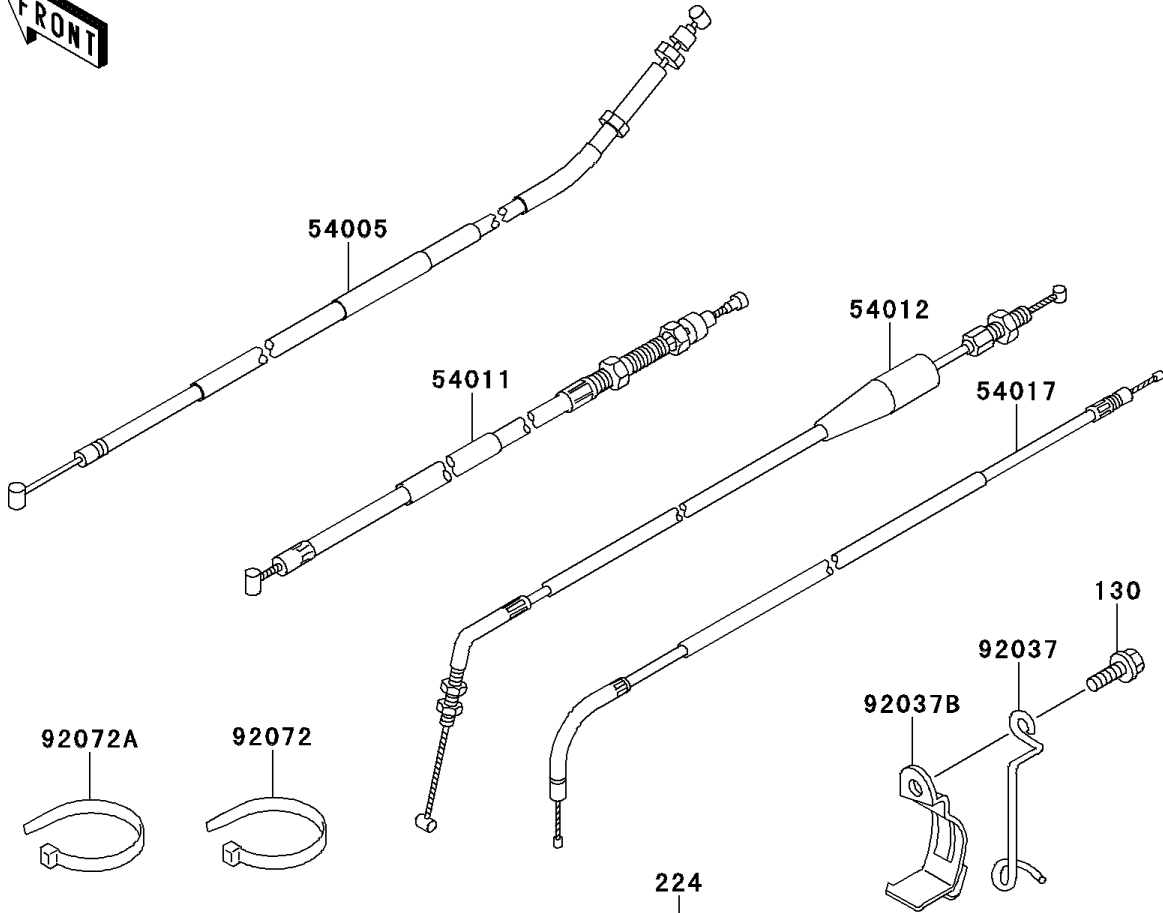


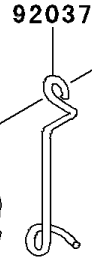
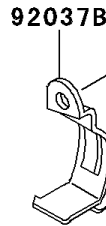
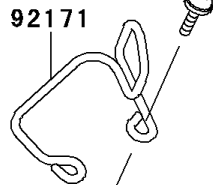
# 2000 Mojave 250 PARTS DIAGRAM

Cables

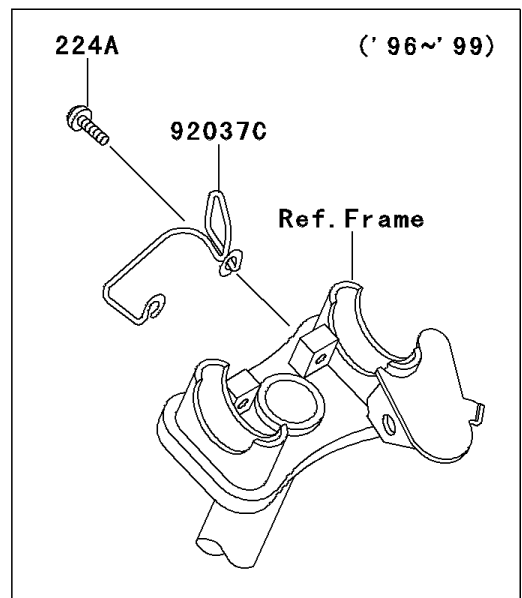
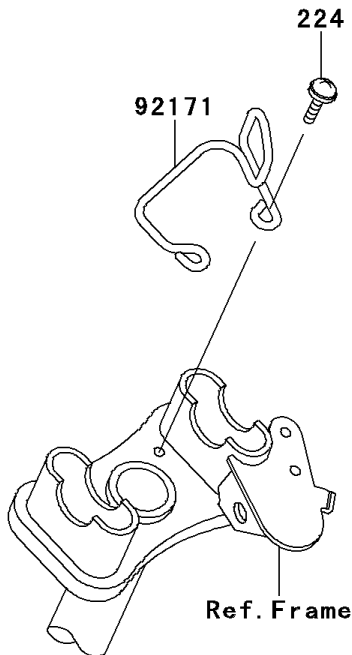
F2540



224



130



## 2000 Mojave 250 PARTS LIST

### Cables

ITEM NAME	PART NUMBER	QUANTITY
BOLT-FLANGED,6X12 (Ref # 130)	130B0612	1
SCREW-PAN-WP-CROS (Ref # 224)	224C0610	2
CABLE-BRAKE,PARKING (Ref # 54005)	54005-1131	1
CABLE-CLUTCH (Ref # 54011)	54011-1266	1
CABLE-THROTTLE (Ref # 54012)	54012-1301	1
CABLE-STARTER (Ref # 54017)	54017-1080	1
CLAMP,CABLE (Ref # 92037)	92037-1779	1
CLAMP (Ref # 92037A)	92037-1780	1
CLAMP,CABLE (Ref # 92037B)	92037-1806	1
BAND,L=123 (Ref # 92072)	92072-030	1
BAND,L=149 (Ref # 92072A)	92072-031	3
CLAMP,CABLE (Ref # 92171)	92171-1127	1