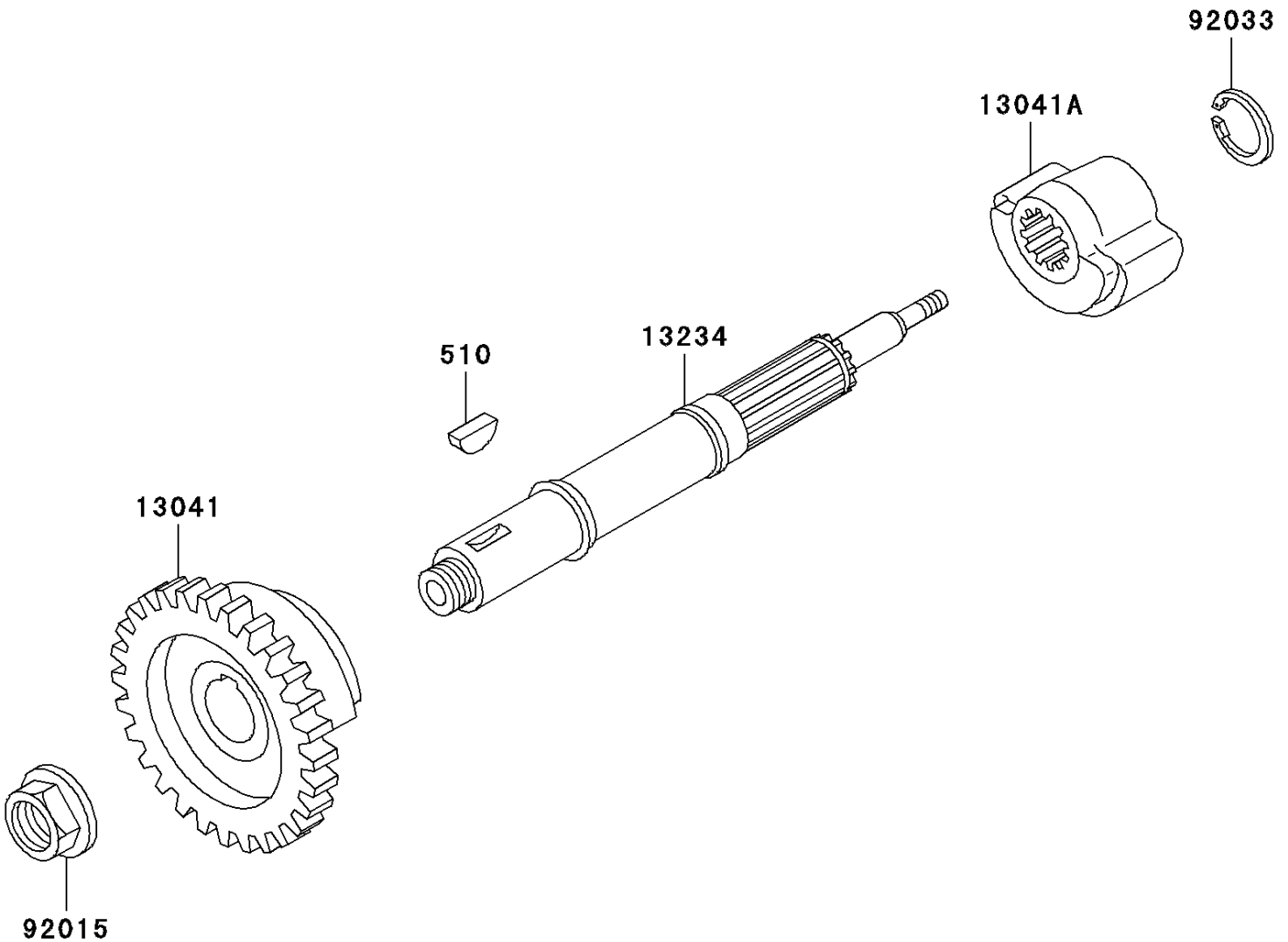


2003 Mojave 250 PARTS DIAGRAM

Balancer

E1323



2003 Mojave 250 PARTS LIST

Balancer

| ITEM NAME | PART NUMBER | QUANTITY |
|------------------------------|-------------|----------|
| KEY-WOODRUFF (Ref # 510) | 510A5100 | 1 |
| BALANCER,LH (Ref # 13041) | 13041-1073 | 1 |
| BALANCER,RH (Ref # 13041A) | 13041-1074 | 1 |
| SHAFT-COMP (Ref # 13234) | 13234-1066 | 1 |
| NUT,16MM (Ref # 92015) | 92015-1465 | 1 |
| RING-SNAP,18MM (Ref # 92033) | 92033-029 | 1 |