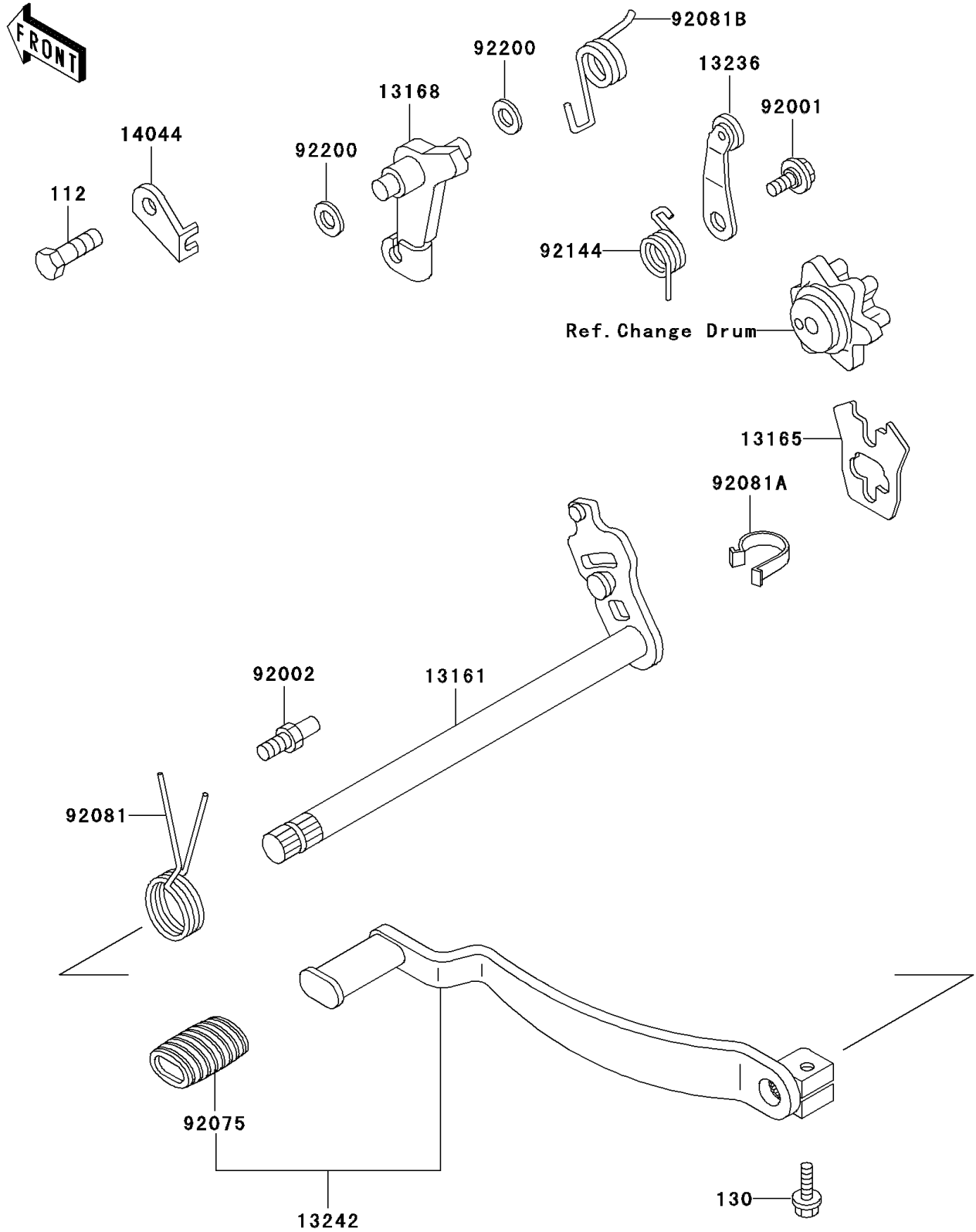


2003 Mojave 250 PARTS DIAGRAM

Gear Change Mechanism

E1370



2003 Mojave 250 PARTS LIST

Gear Change Mechanism

| ITEM NAME | PART NUMBER | QUANTITY |
|--|-------------|----------|
| BOLT-UPSET (Ref # 112) | 112B0512 | 1 |
| BOLT-FLANGED,6X20,BLACK (Ref # 130) | 130S0620 | 1 |
| LEVER-COMP-CHANGE SHAFT (Ref # 13161) | 13161-1293 | 1 |
| PAWL,CHANGE LEVER (Ref # 13165) | 13165-1034 | 1 |
| LEVER,REVERSE (Ref # 13168) | 13168-1344 | 1 |
| LEVER-COMP,CHANGE DRUM (Ref # 13236) | 13236-1117 | 1 |
| LEVER-ASSY-CHANGE,PEDAL (Ref # 13242) | 13242-1223 | 1 |
| HOLDER-CABLE (Ref # 14044) | 14044-1072 | 1 |
| BOLT,GEAR CHANGE LEVER (Ref # 92001) | 92001-1715 | 1 |
| BOLT,RETURN SPRING (Ref # 92002) | 92002-1355 | 1 |
| DAMPER,CHANGE PEDAL (Ref # 92075) | 92075-1585 | 1 |
| SPRING,CHANGE PEDAL RETURN (Ref # 92081) | 92081-1750 | 1 |
| SPRING,CHANGE LEVER (Ref # 92081A) | 92081-1829 | 1 |
| SPRING,REVERSE LOCK (Ref # 92081B) | 92081-1998 | 1 |
| SPRING,POSITION LEVER (Ref # 92144) | 92144-1077 | 1 |
| WASHER,8X13X0.5 (Ref # 92200) | 92200-1039 | 2 |