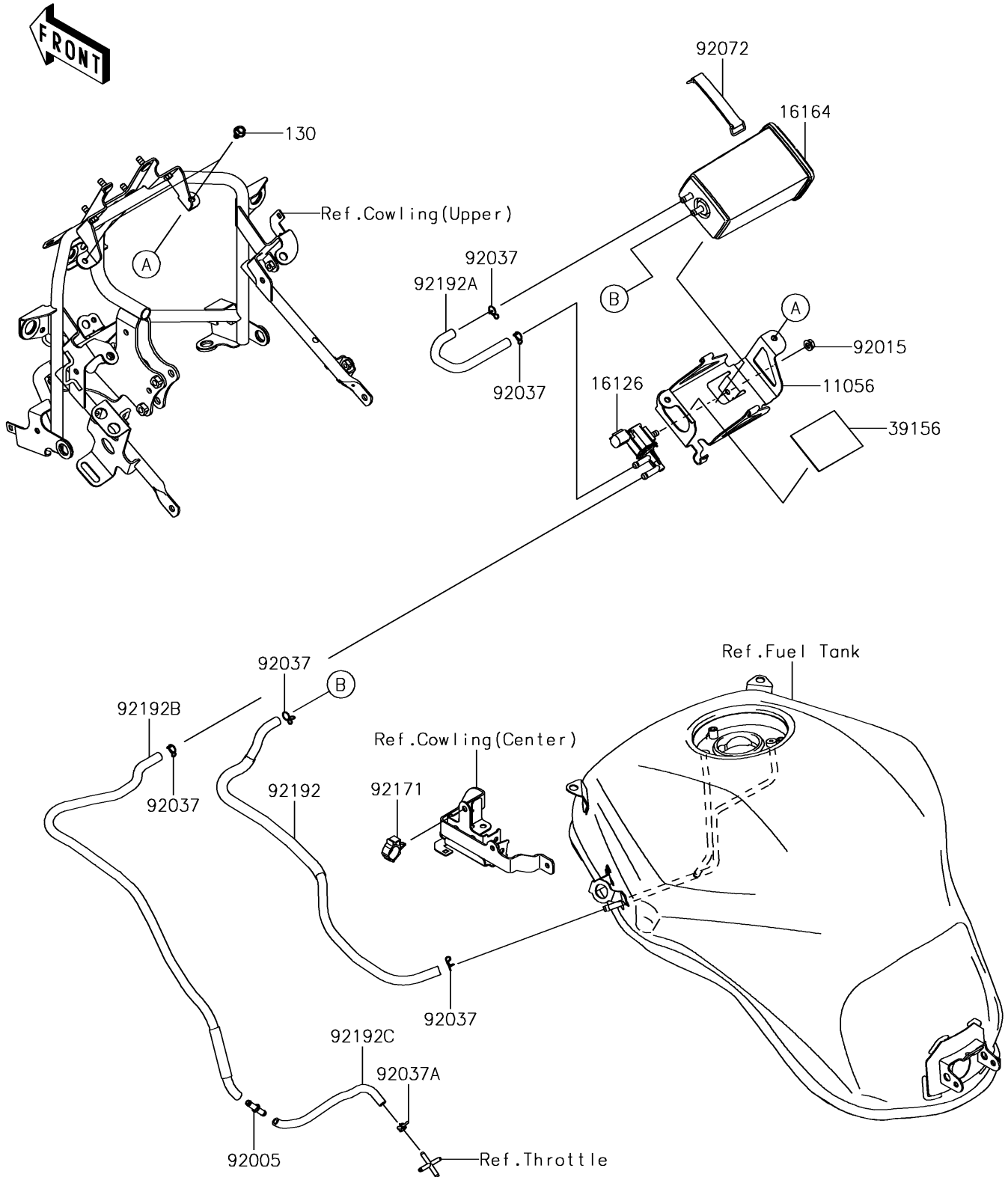


# 2017 Versys 1000 LT PARTS DIAGRAM

Fuel Evaporative System(CA)

E1650



## 2017 Versys 1000 LT PARTS LIST

Fuel Evaporative System(CA)

ITEM NAME	PART NUMBER	QUANTITY
BRACKET,CANISTER (Ref # 11056)	11056-4205	1
BOLT-FLANGED,6X10 (Ref # 130)	130BA0610	2
VALVE,SOLENOID (Ref # 16126)	16126-0705	1
CANISTER (Ref # 16164)	16164-0012	1
PAD,CANISTER BRACKET (Ref # 39156)	39156-1871	1
FITTING (Ref # 92005)	92005-0721	1
NUT,FLANGED,6MM (Ref # 92015)	92015-1367	1
CLAMP (Ref # 92037)	92037-1712	5
CLAMP,7.8MM (Ref # 92037A)	92037-2116	1
BAND,TOOL,L=82 (Ref # 92072)	92072-1294	1
CLAMP,BRAKE HOSE (Ref # 92171)	92171-0316	1
TUBE,TANK-CANISTER (Ref # 92192)	92192-1764	1
TUBE,CANISTER-VALVE (Ref # 92192A)	92192-1765	1
TUBE,VALVE-THB(VALVE SIDE) (Ref # 92192B)	92192-1766	1
TUBE,VALVE-THB(THB SIDE) (Ref # 92192C)	92192-1767	1