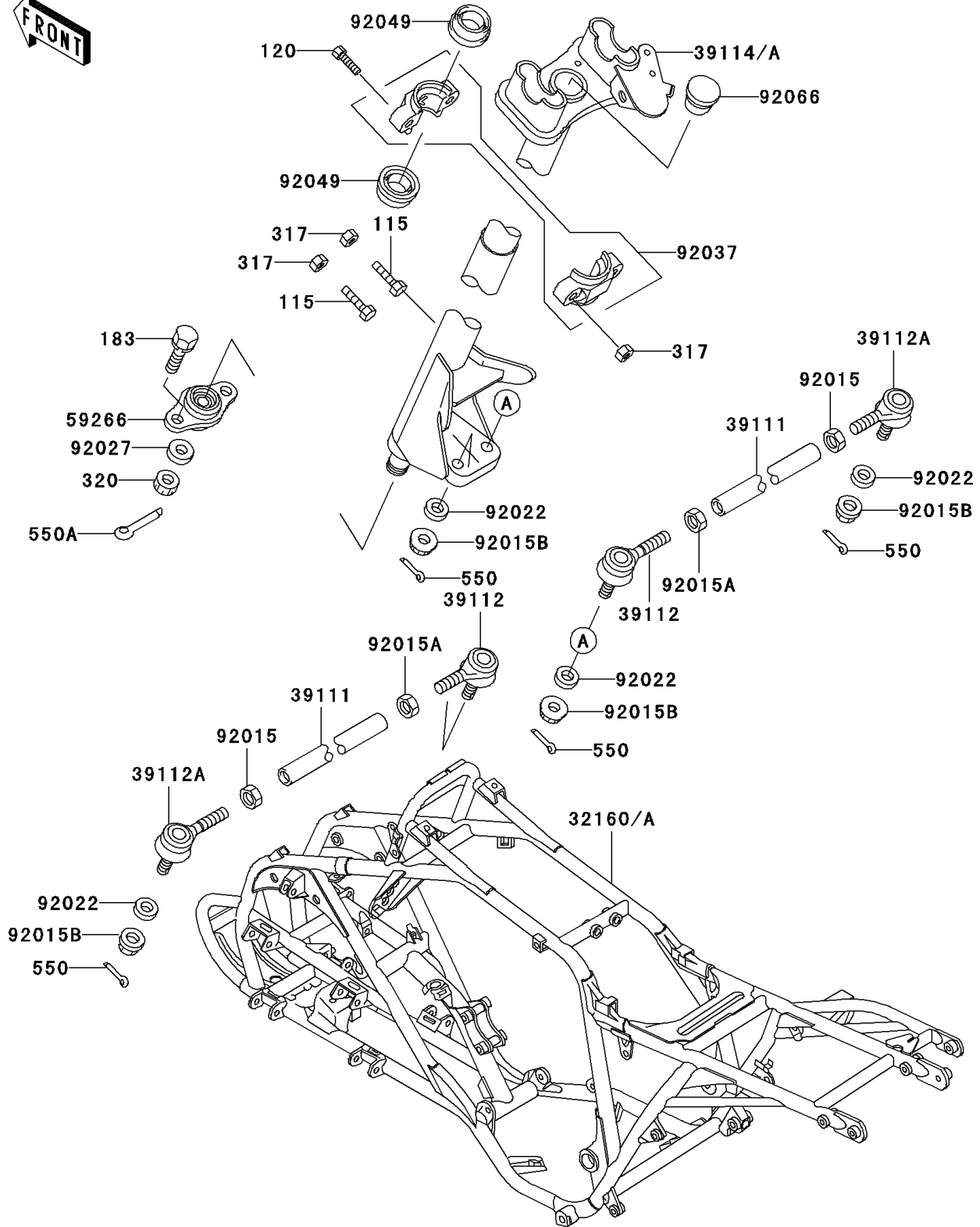


2001 Mojave 250 PARTS DIAGRAM

Frame

F2120



2001 Mojave 250 PARTS LIST

Frame

ITEM NAME	PART NUMBER	QUANTITY
BOLT-SMALL-UPSET,8X30 (Ref # 115)	115G0830	2
BOLT-SOCKET,8X50 (Ref # 120)	120P0850	2
BOLT-UPSET-WS-SMALL (Ref # 183)	183G0822	2
NUT-HEX-SMALL,8MM (Ref # 317)	317G0800	4
NUT-CASTLE (Ref # 320)	320H1000	1
PIN-COTTER,2.0X15 (Ref # 550)	550D2015	4
PIN-COTTER,2.5X18 (Ref # 550A)	550D2518	1
FRAME-COMP,L.GREEN (Ref # 32160)	32160-1279-CC	1
ROD-TIE (Ref # 39111)	39111-1069	2
RODEND-TIE (Ref # 39112)	39112-1063	2
RODEND-TIE (Ref # 39112A)	39112-1064	2
SHAFT-COMP-STRG,L.GREEN (Ref # 39114)	39114-1080-CC	1
JOINT-BALL (Ref # 59266)	59266-1066	1
NUT,10MM,LH,THREAD (Ref # 92015)	92015-1460	2
NUT,10MM (Ref # 92015A)	92015-1494	2
NUT,LOCK,FLANGED,10MM (Ref # 92015B)	92015-1717	4
WASHER,10.5X20X1 (Ref # 92022)	92022-239	4
COLLAR,10X21.3X7 (Ref # 92027)	92027-1817	1
CLAMP,STEERING SHAFT (Ref # 92037)	92037-1839	1
SEAL-OIL,SR7 25 34 7.8 NS (Ref # 92049)	92049-1278	2
PLUG (Ref # 92066)	92066-1220	1