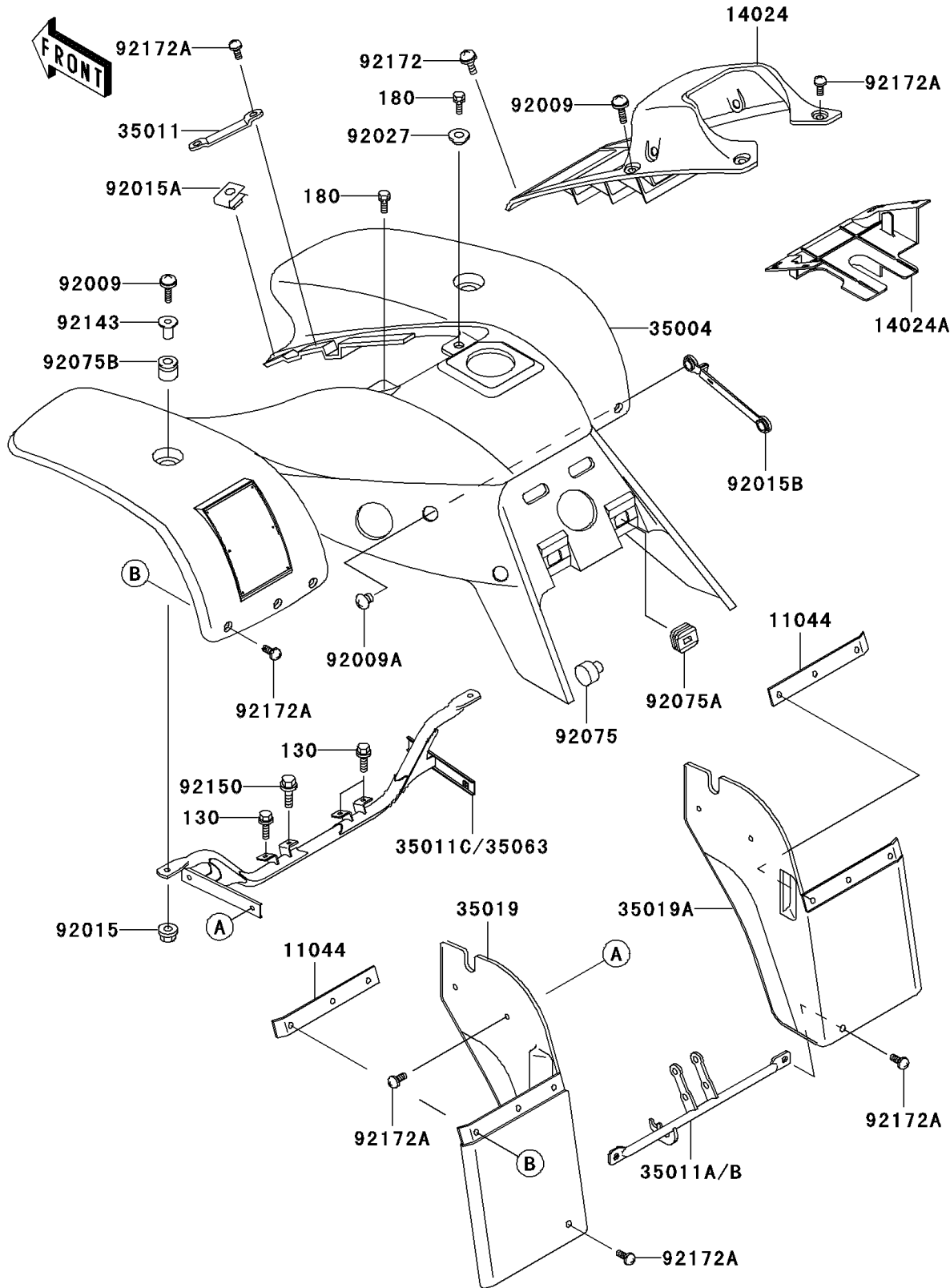


2003 Mojave 250 PARTS DIAGRAM

Front Fender(s)

F2171



2003 Mojave 250 PARTS LIST

Front Fender(s)

ITEM NAME	PART NUMBER	QUANTITY
BOLT-FLANGED,6X12 (Ref # 130)	130P0612	3
BOLT-UPSET-WS,6X35 (Ref # 180)	180D0635	2
BRACKET,FLAP (Ref # 11044)	11044-1934	2
COVER,FRONT FENDER,BLACK (Ref # 14024)	14024-1268-6D	1
COVER,FRONT FENDER,INNER (Ref # 14024A)	14024-1297	1
FENDER-FRONT,L.GREEN (Ref # 35004)	35004-1379-6W	1
STAY,FRONT FENDER (Ref # 35011)	35011-1324	1
STAY,FLAP,G.GRAY (Ref # 35011B)	35011-1637-HN	1
FLAP,LH (Ref # 35019)	35019-1172	1
FLAP,RH (Ref # 35019A)	35019-1173	1
STAY,FRONT FENDER (Ref # 35063)	35063-1169	1
SCREW,6X22,BLACK (Ref # 92009)	92009-1256	4
SCREW,16MM (Ref # 92009A)	92009-1508	2
NUT,FLANGED,6MM,BLACK (Ref # 92015)	92015-1233	2
NUT,CLAMP,6MM (Ref # 92015A)	92015-1678	6
NUT (Ref # 92015B)	92015-1701	1
COLLAR,L=5.6 (Ref # 92027)	92027-1933	1
DAMPER,DUAL SEAT (Ref # 92075)	92075-023	1
DAMPER (Ref # 92075A)	92075-1834	2
DAMPER,CASE (Ref # 92075B)	92075-222	2
COLLAR,L=9.6 (Ref # 92143)	92143-1016	2
BOLT,FLANGED,6X16 (Ref # 92150)	92150-1358	1
SCREW,6X18 (Ref # 92172)	92172-0002	2
SCREW,6X14 (Ref # 92172A)	92172-0004	16