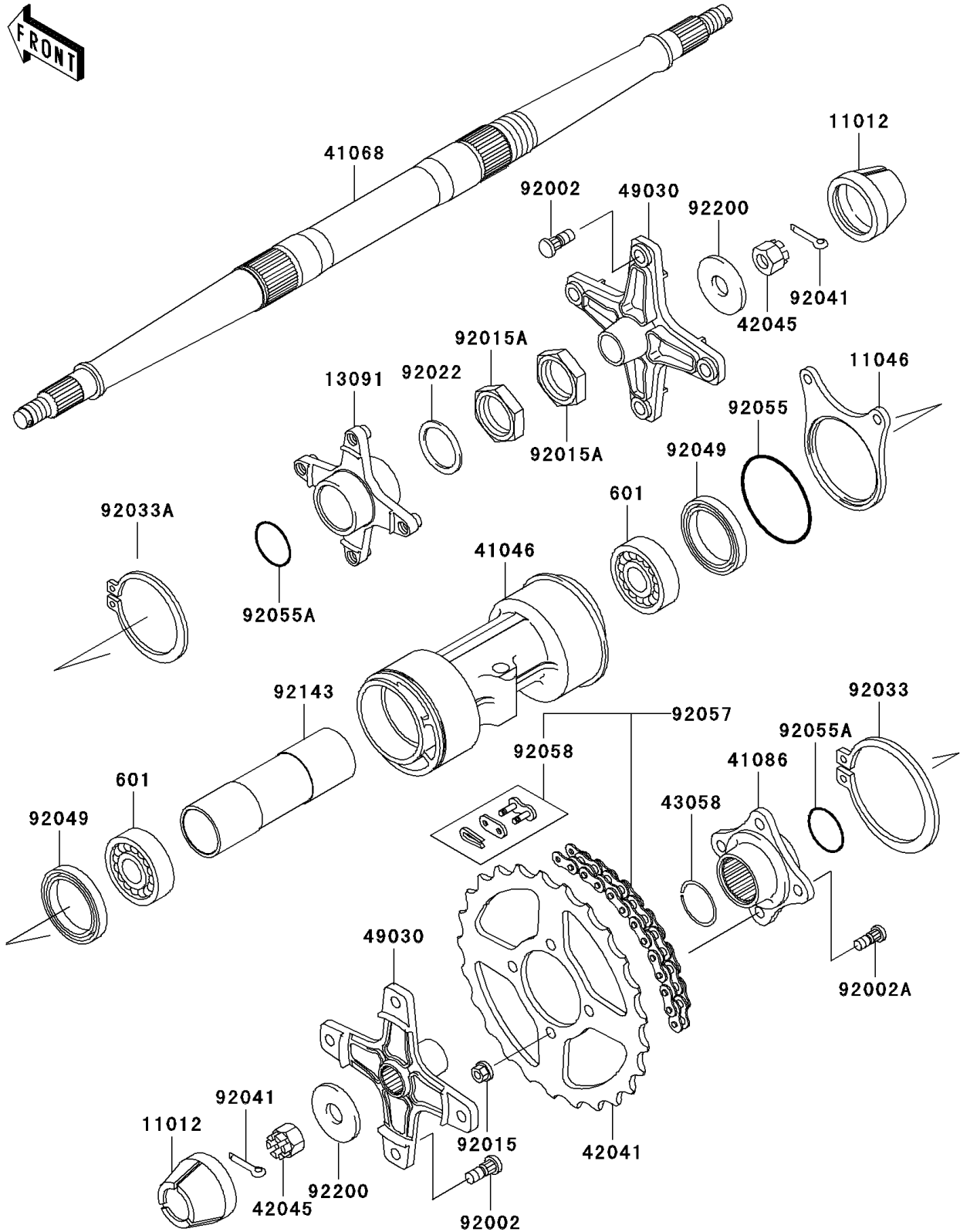


2001 Mojave 250 PARTS DIAGRAM

Rear Hub

F2240



2001 Mojave 250 PARTS LIST

Rear Hub

| ITEM NAME | PART NUMBER | QUANTITY |
|--------------------------------------------|-------------|----------|
| BEARING-BALL,#6008UU (Ref # 601) | 601A6008UU | 2 |
| CAP,WHEEL (Ref # 11012) | 11012-1969 | 2 |
| BRACKET,CALIPER (Ref # 11046) | 11046-1062 | 1 |
| HOLDER,DISC PLATE (Ref # 13091) | 13091-1449 | 1 |
| HOUSING-BEARING (Ref # 41046) | 41046-1086 | 1 |
| AXLE,RR (Ref # 41068) | 41068-1235 | 1 |
| FLANGE,REAR SPROCKET (Ref # 41086) | 41086-1070 | 1 |
| SPROCKET-HUB,43T (Ref # 42041) | 42041-1433 | 1 |
| NUT,CASTLE,18MM (Ref # 42045) | 42045-018 | 2 |
| RING,SNAP (Ref # 43058) | 43058-1060 | 1 |
| HUB,RR (Ref # 49030) | 49030-1078 | 2 |
| BOLT,10X30 (Ref # 92002) | 92002-1388 | 8 |
| BOLT,10MM (Ref # 92002A) | 92002-1459 | 4 |
| NUT,FLANGED,10MM (Ref # 92015) | 92015-1335 | 4 |
| NUT,LOCK,37MM (Ref # 92015A) | 92015-1545 | 2 |
| WASHER,37.5X48X2.3 (Ref # 92022) | 92022-1746 | 1 |
| RING-SNAP,95MM (Ref # 92033) | 92033-1216 | 1 |
| RING-SNAP,75MM (Ref # 92033A) | 92033-1217 | 1 |
| COTTER,4.0X35 (Ref # 92041) | 92041-1053 | 2 |
| SEAL-OIL (Ref # 92049) | 92049-1237 | 2 |
| RING-O,76MM (Ref # 92055) | 92055-1213 | 1 |
| RING-O,38MM (Ref # 92055A) | 92055-1317 | 2 |
| CHAIN,DRIVE,EK520SR-O2X90L (Ref # 92057) | 92057-1254 | 1 |
| JOINT-CHAIN,DRIVE,EK520SR-O2 (Ref # 92058) | 92058-1060 | 1 |
| COLLAR,L=159 (Ref # 92143) | 92143-1036 | 1 |
| WASHER,18.5X52X4.5 (Ref # 92200) | 92200-1474 | 2 |