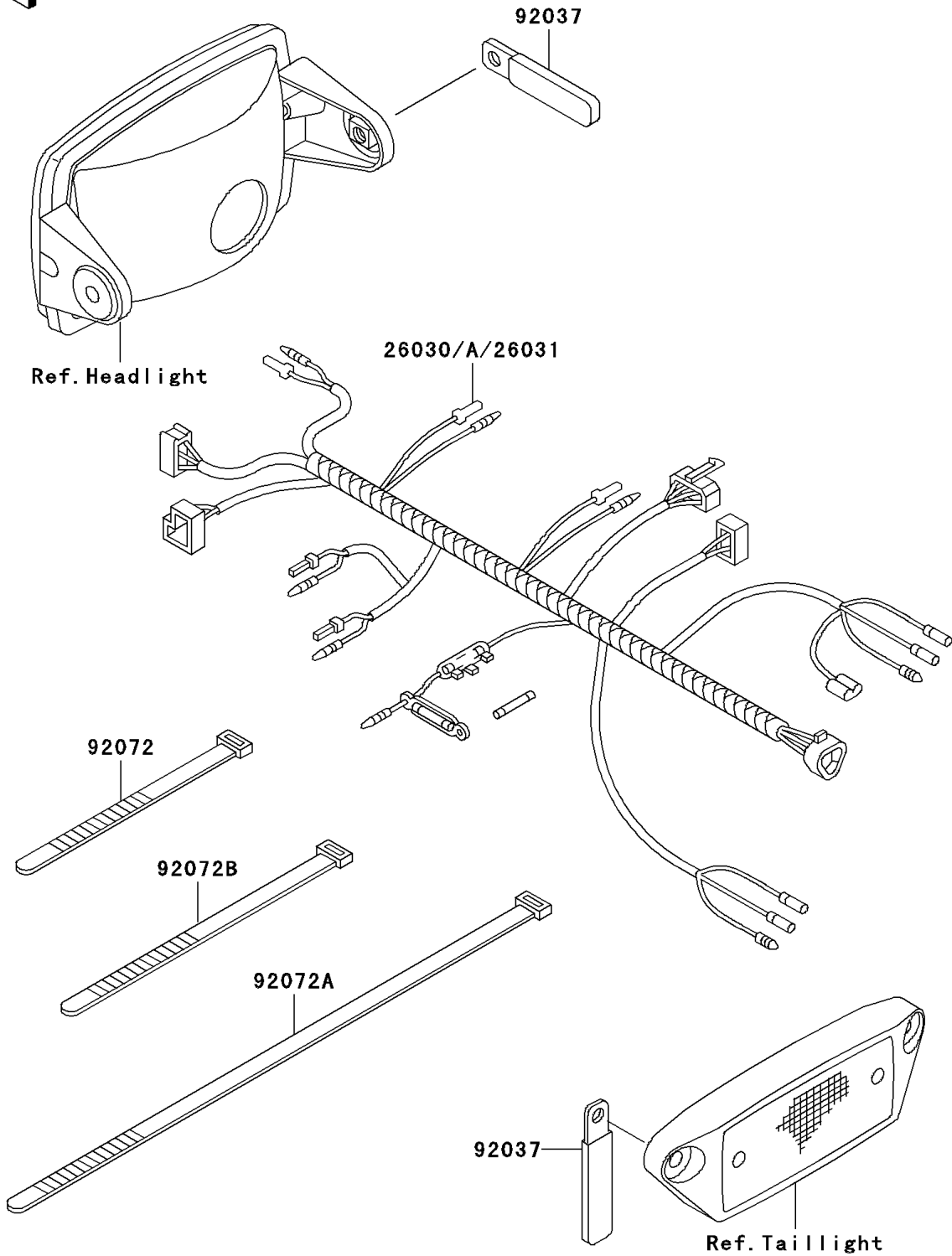


# 2003 Mojave 250 PARTS DIAGRAM

Chassis Electrical Equipment

F2760



## 2003 Mojave 250 PARTS LIST

### Chassis Electrical Equipment

| ITEM NAME                   | PART NUMBER | QUANTITY |
|-----------------------------|-------------|----------|
| HARNESS,MAIN (Ref # 26030A) | 26030-1975  | 1        |
| CLAMP,L=60 (Ref # 92037)    | 92037-1069  | 2        |
| BAND,L=149 (Ref # 92072)    | 92072-031   | 10       |
| BAND,L=365 (Ref # 92072A)   | 92072-1197  | 1        |
| BAND,L=188 (Ref # 92072B)   | 92072-1239  | 1        |