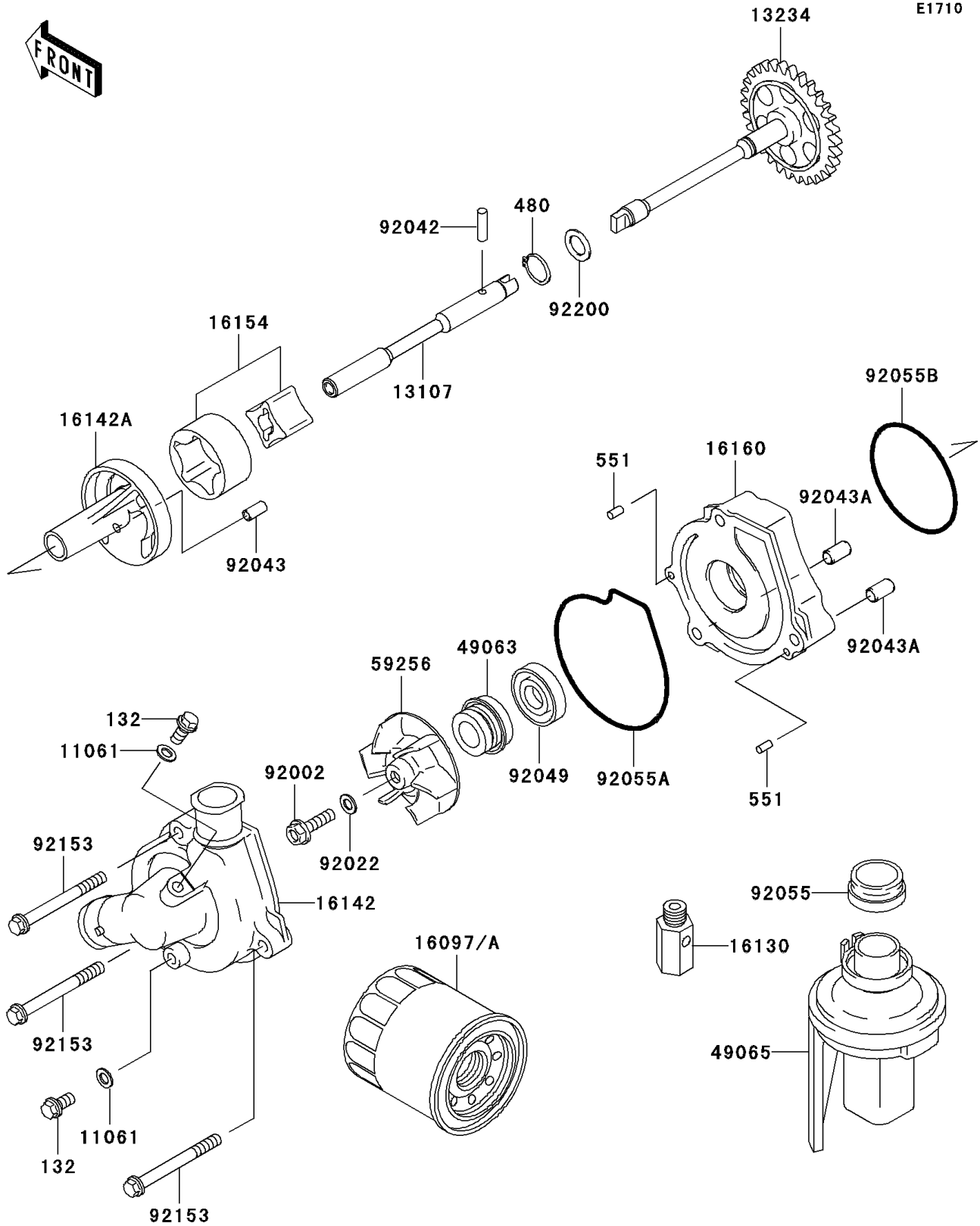


# 2007 ZZR600 PARTS DIAGRAM

Oil Pump/Oil Filter



## 2007 ZZR600 PARTS LIST

### Oil Pump/Oil Filter

ITEM NAME	PART NUMBER	QUANTITY
BOLT-FLANGED-SMALL,6X12 (Ref # 132)	132Y0612	2
CIRCLIP-TYPE-C,11MM (Ref # 480)	480J1100	1
PIN-DOWEL,4X8 (Ref # 551)	551A0408	2
GASKET (Ref # 11061)	11061-0107	2
SHAFT (Ref # 13107)	13107-1430	1
SHAFT-COMP (Ref # 13234)	13234-0003	1
FILTER-ASSY-OIL (Ref # 16097A)	16097-0004	1
VALVE-ASSY-RELIEF (Ref # 16130)	16130-1058	1
COVER-PUMP,WATER (Ref # 16142)	16142-1152	1
COVER-PUMP,OIL (Ref # 16142A)	16142-1161	1
ROTOR-PUMP,40.56X22 (Ref # 16154)	16154-1115	1
BODY,OIL PUMP (Ref # 16160)	16160-1325	1
SEAL-MECHANICAL,WATER (Ref # 49063)	49063-1055	1
FILTER-OIL (Ref # 49065)	49065-1073	1
IMPELLER (Ref # 59256)	59256-1074	1
BOLT,6X22 (Ref # 92002)	92002-1154	1
WASHER,6.1X12X1 (Ref # 92022)	92022-077	1
PIN,DOWEL,4X15.8 (Ref # 92042)	92042-014	1
PIN,4.2X6X12 (Ref # 92043)	92043-1262	1
PIN,6.2X8X14 (Ref # 92043A)	92043-1263	2
SEAL-OIL,SC 11 28.55 5 (Ref # 92049)	92049-1336	1
RING-O,OIL FILTER (Ref # 92055)	92055-1503	1
RING-O,WATER PUMP COVER (Ref # 92055A)	92055-1532	1
RING-O,59.6X2.4 (Ref # 92055B)	92055-3018	1
BOLT,6X60 (Ref # 92153)	92153-0780	3
WASHER (Ref # 92200)	92200-1009	1