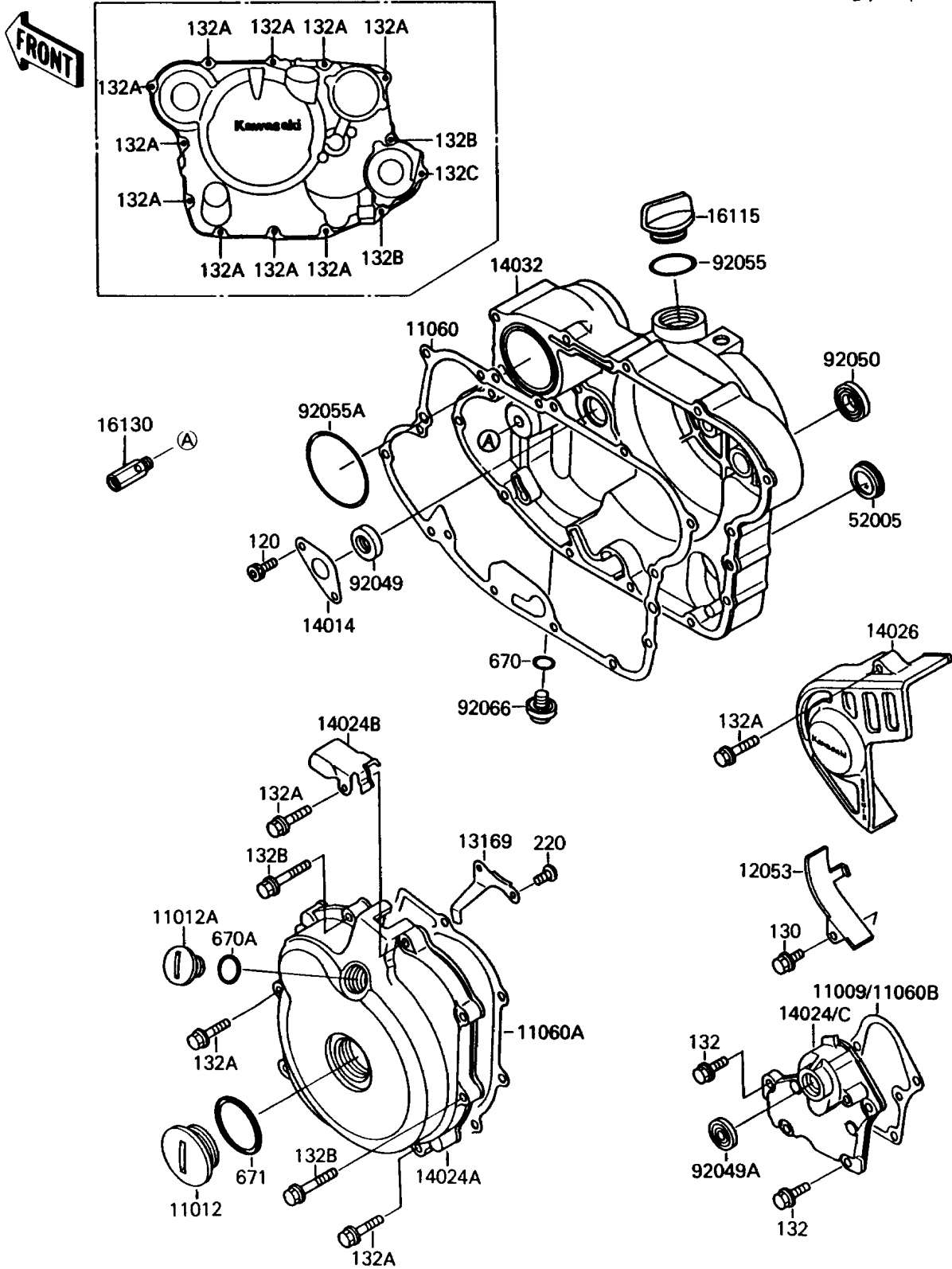


# 1989 Mojave 250 PARTS DIAGRAM

Engine Cover

E1431



# 1989 Mojave 250 PARTS LIST

## Engine Cover

ITEM NAME	PART NUMBER	QUANTITY
GASKET,REVERSE (Ref # 11009)	11009-1591	1
CAP (Ref # 11012)	11012-1362	1
CAP,TOP MARK (Ref # 11012A)	11012-1363	1
GASKET,CLUTCH COVER (Ref # 11060)	11060-1238	1
GASKET,GENERATOR (Ref # 11060A)	11060-1239	1
GUIDE-CHAIN (Ref # 12053)	12053-1196	1
PLATE,GENERATOR LEAD (Ref # 13169)	13169-1692	1
PLATE-POSITION (Ref # 14014)	14014-1079	1
COVER,REVERSE LOCK (Ref # 14024)	14024-1269	1
COVER,GENERATOR (Ref # 14024A)	14024-1270	1
COVER (Ref # 14024B)	14024-1363	1
COVER-CHAIN (Ref # 14026)	14026-1125	1
COVER-CLUTCH (Ref # 14032)	14032-1251	1
CAP-OIL FILLER (Ref # 16115)	16115-1009	1
VALVE-ASSY-RELIEF (Ref # 16130)	16130-1001	1
GAUGE,OIL LEVEL (Ref # 52005)	52005-1009	1
SEAL-OIL (Ref # 92049)	92049-1191	1
SEAL-OIL,TB12205.5 (Ref # 92049A)	92049-1271	1
SEAL-OIL (Ref # 92050)	92050-078	1
RING-O,31.5X2.6 (Ref # 92055)	92055-049	1
RING-O,62.6X66X3.1 (Ref # 92055A)	92055-1221	1
PLUG,DRAIN (Ref # 92066)	92066-1156	1
BOLT-SOCKET,6X10 (Ref # 120)	120P0610	2
BOLT-FLANGED (Ref # 130)	130J0610	1
BOLT-FLANGED-SMALL (Ref # 132)	132J0620	5
BOLT-FLANGED-SMALL (Ref # 132A)	132J0630	19
BOLT-FLANGED-SMALL,6X40 (Ref # 132B)	132J0640	4
BOLT-FLANGED-SMALL (Ref # 132C)	132J0695	1
SCREW-PAN-CROS (Ref # 220)	220B0512	2

# 1989 Mojave 250 PARTS LIST

## Engine Cover

ITEM NAME	PART NUMBER	QUANTITY
O RING,11MM (Ref # 670)	670B2011	1
O RING,18MM (Ref # 670A)	670B2018	1
O RING,40MM (Ref # 671)	671B2540	1