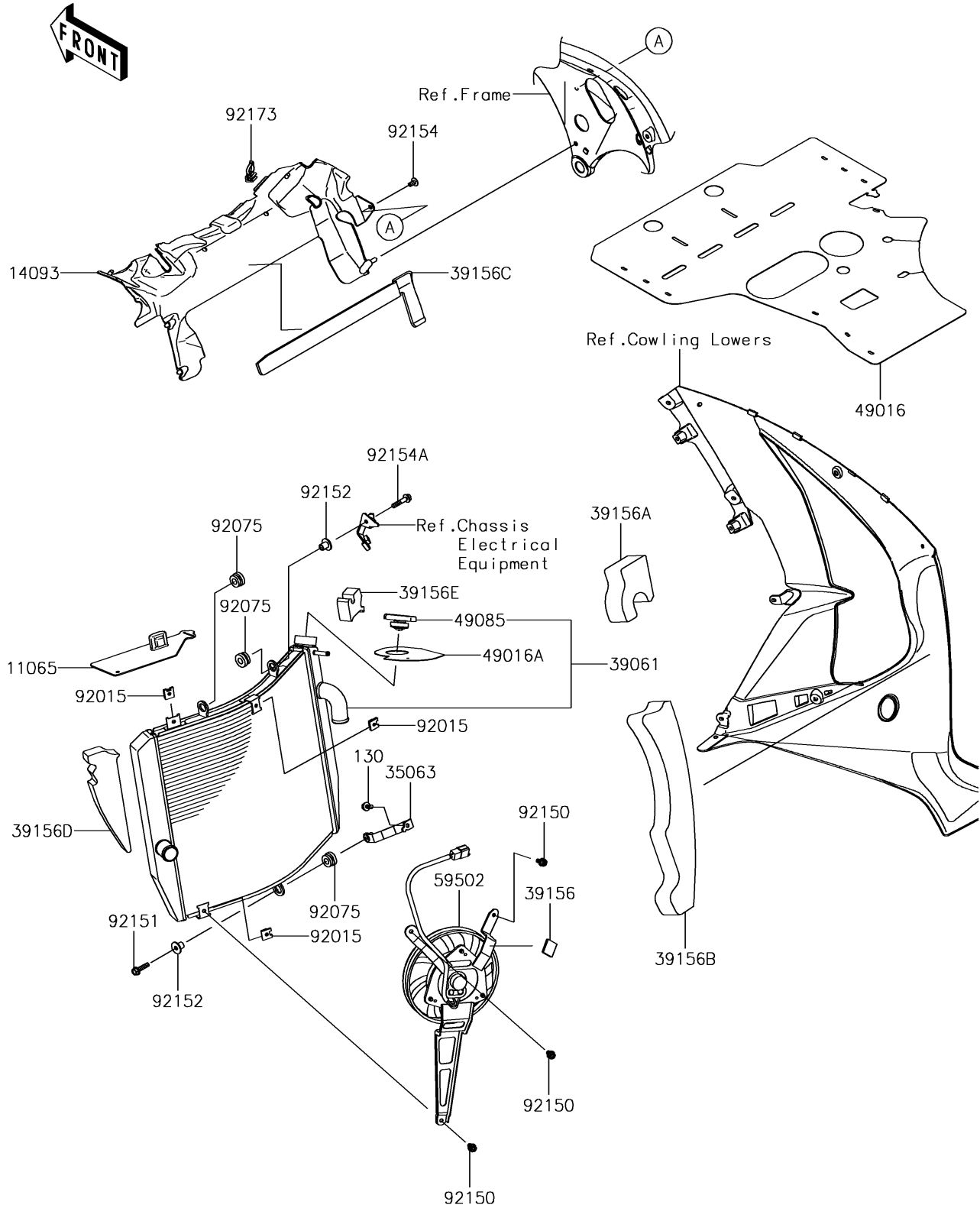


2018 NINJA® ZX™-10RR PARTS DIAGRAM

Radiator

E3032



2018 NINJA® ZX™-10RR PARTS LIST

Radiator

| ITEM NAME | PART NUMBER | QUANTITY |
|------------------------------------|-------------|----------|
| CAP (Ref # 11065) | 11065-0737 | 1 |
| BOLT-FLANGED,6X14 (Ref # 130) | 130BA0614 | 1 |
| COVER (Ref # 14093) | 14093-0427 | 1 |
| STAY (Ref # 35063) | 35063-0701 | 1 |
| RADIATOR-ASSY (Ref # 39061) | 39061-0566 | 1 |
| PAD (Ref # 39156) | 39156-0285 | 1 |
| PAD (Ref # 39156A) | 39156-0710 | 1 |
| PAD (Ref # 39156B) | 39156-0724 | 1 |
| PAD (Ref # 39156C) | 39156-0730 | 1 |
| PAD (Ref # 39156D) | 39156-1941 | 1 |
| PAD (Ref # 39156E) | 39156-1976 | 1 |
| COVER-SEAL,ENGINE RR (Ref # 49016) | 49016-0633 | 1 |
| COVER-SEAL,RH (Ref # 49016A) | 49016-0637 | 1 |
| CAP-ASSY-PRESSURE (Ref # 49085) | 49085-1078 | 1 |
| FAN-ASSY (Ref # 59502) | 59502-0606 | 1 |
| NUT (Ref # 92015) | 92015-1487 | 3 |
| DAMPER,RUBBER (Ref # 92075) | 92075-1123 | 3 |
| BOLT,6X12 (Ref # 92150) | 92150-1186 | 3 |
| BOLT,FLANGED,6X25 (Ref # 92151) | 92151-1225 | 1 |
| COLLAR (Ref # 92152) | 92152-1074 | 2 |
| BOLT,6X12 (Ref # 92154) | 92154-1892 | 1 |
| BOLT,FLANGED,15X30 (Ref # 92154A) | 92154-2119 | 1 |
| CLAMP (Ref # 92173) | 92173-1578 | 1 |