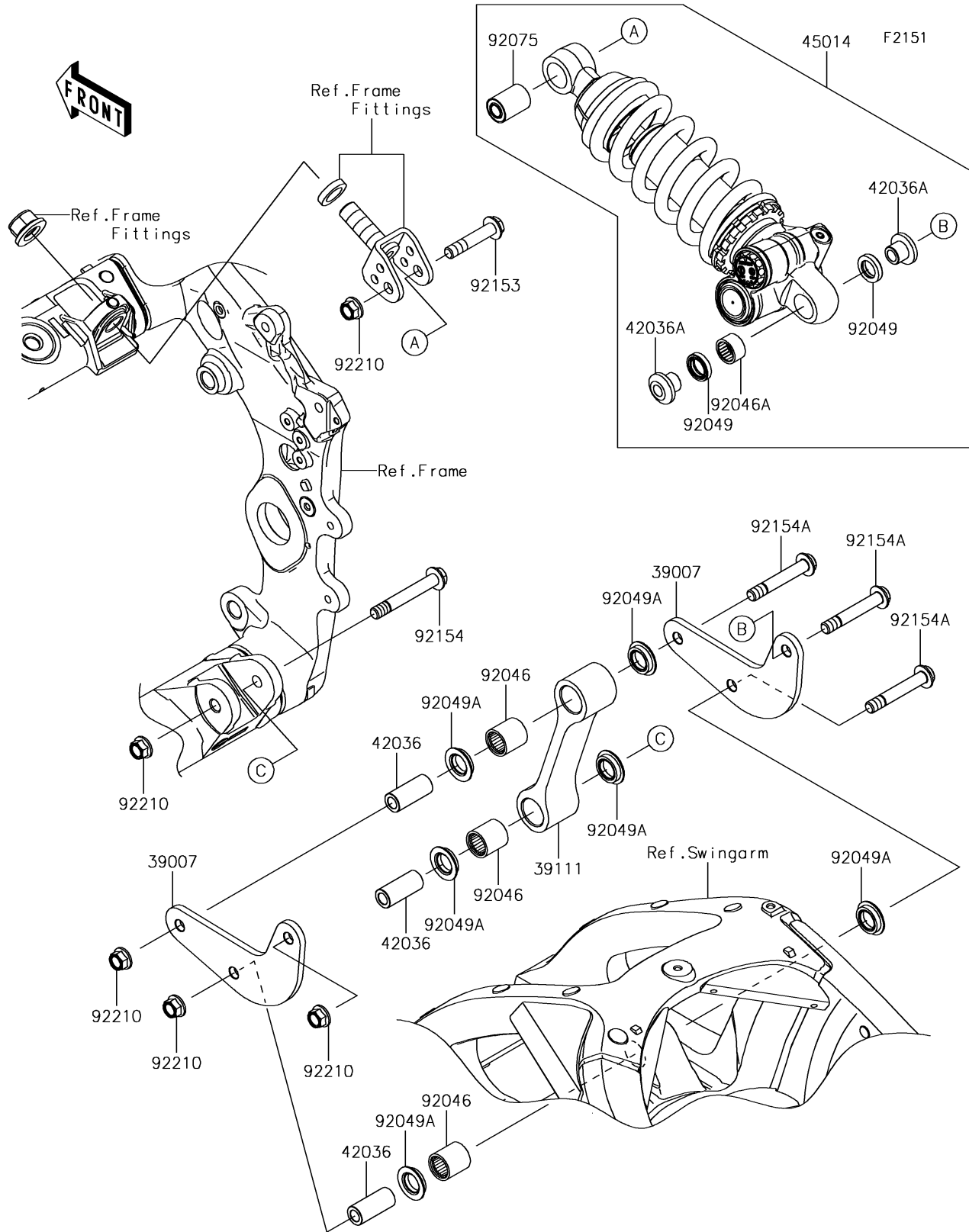


2018 NINJA[®] ZX[™]-10RR PARTS DIAGRAM

Suspension/Shock Absorber



2018 NINJA® ZX™ -10RR PARTS LIST

Suspension/Shock Absorber

| ITEM NAME | PART NUMBER | QUANTITY |
|--|----------------|----------|
| ARM-SUSP (Ref # 39007) | 39007-0395 | 2 |
| ROD-TIE,SUSPENSION (Ref # 39111) | 39111-0337 | 1 |
| SLEEVE,10.1X17X39 (Ref # 42036) | 42036-0075 | 3 |
| SLEEVE (Ref # 42036A) | 42036-0789 | 2 |
| SHOCKABSORBER,GREEN/GRAY (Ref # 45014) | 45014-0515-52J | 1 |
| BEARING-NEEDLE,SFYZM172425 (Ref # 92046) | 92046-1273 | 3 |
| BEARING-NEEDLE,7E-HVS16X22X12 (Ref # 92046A) | 92046-1301 | 1 |
| SEAL-OIL (Ref # 92049) | 92049-0792 | 2 |
| SEAL-OIL,MHA17245.7F (Ref # 92049A) | 92049-1223 | 6 |
| DAMPER,SHOCKABSORBER (Ref # 92075) | 92075-1426 | 1 |
| BOLT,FLANGED,10X51 (Ref # 92153) | 92153-1545 | 1 |
| BOLT,FLANGED,10X71 (Ref # 92154) | 92154-0384 | 1 |
| BOLT,FLANGED,10X63 (Ref # 92154A) | 92154-0398 | 3 |
| NUT,LOCK,FLANGED,10MM (Ref # 92210) | 92210-1139 | 5 |