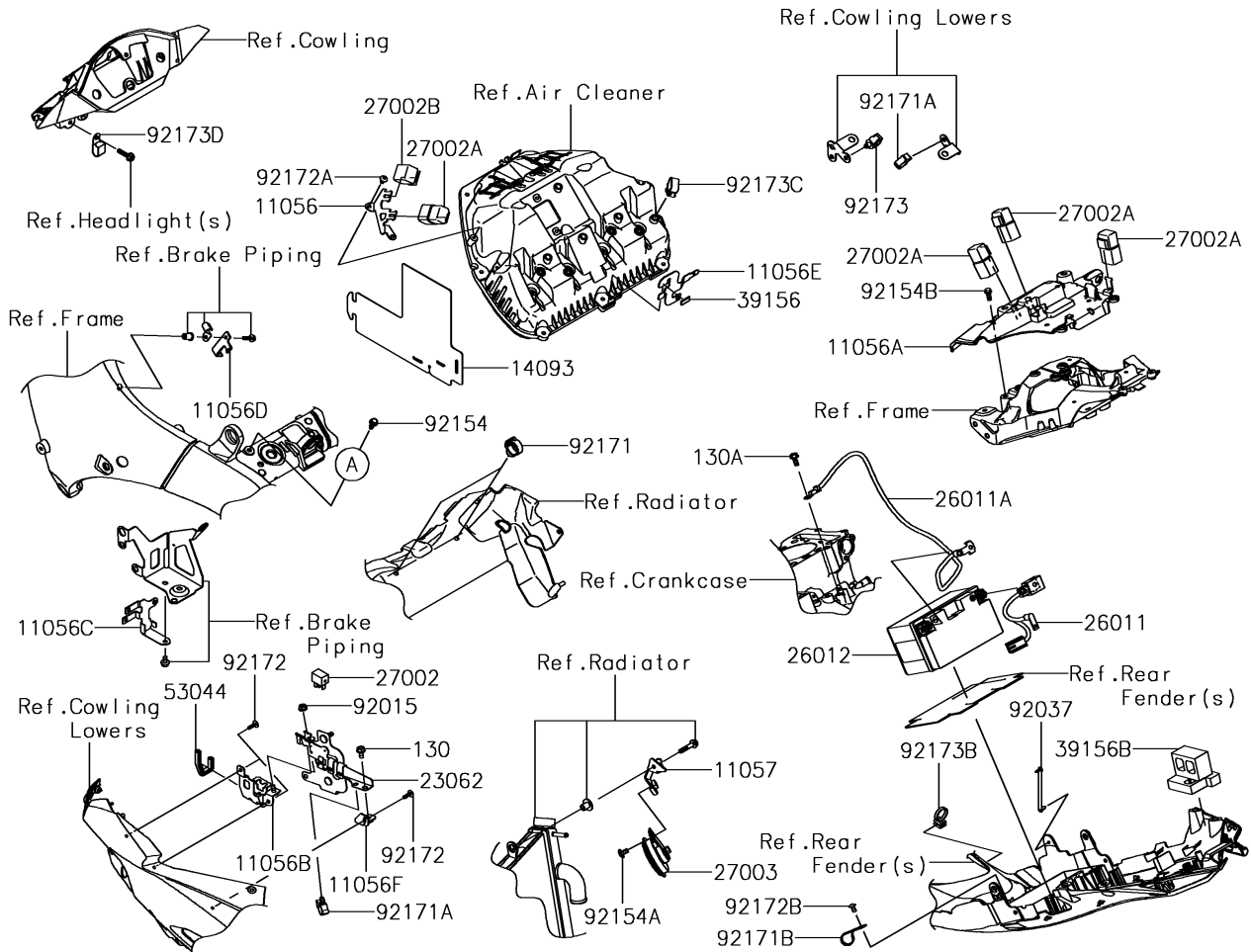
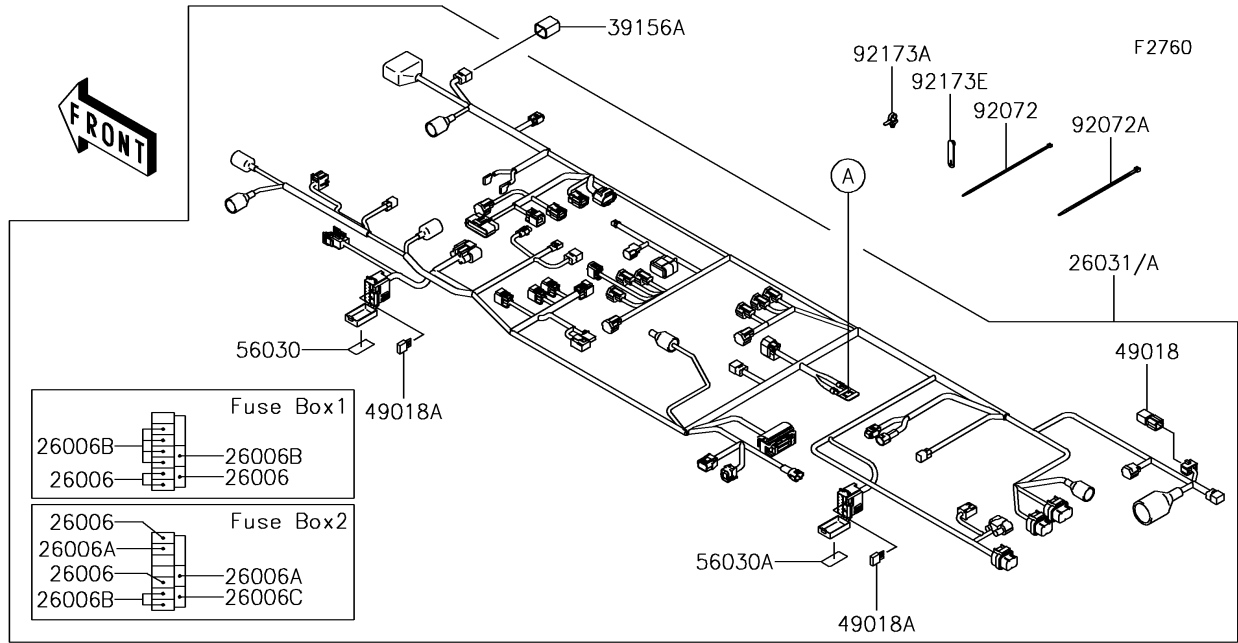


2018 NINJA® ZX™-10RR PARTS DIAGRAM

Chassis Electrical Equipment



2018 NINJA® ZX™-10RR PARTS LIST

Chassis Electrical Equipment

ITEM NAME	PART NUMBER	QUANTITY
BRACKET,RELAY (Ref # 11056)	11056-7706	1
BRACKET,ECU (Ref # 11056A)	11056-7717	1
BRACKET,FUSE (Ref # 11056B)	11056-7809	1
BRACKET,SHIFTER&GEAR POSITION (Ref # 11056C)	11056-7816	1
BRACKET,FRAME,LH (Ref # 11056D)	11056-7828	1
BRACKET,HARNESS (Ref # 11056E)	11056-7955	1
BRACKET,CONNECTOR,RR (Ref # 11056F)	11056-7959	1
BRACKET,HORN (Ref # 11057)	11057-0017	1
COVER,RELAY (Ref # 14093)	14093-0476	1
BRACKET-COMP,CONNECTOR (Ref # 23062)	23062-0873	1
FUSE,MINI BLADE,15A,BLUE (Ref # 26006)	26006-0001	5
FUSE,MINI BLADE,25A,NATURAL (Ref # 26006A)	26006-0020	2
FUSE,MINI BLADE,10A,RED (Ref # 26006B)	26006-1078	7
FUSE,MINI BLADE,30A,GREEN (Ref # 26006C)	26006-1080	1
WIRE-LEAD,BATTERY(+) (Ref # 26011)	26011-0913	1
WIRE-LEAD,BATTERY(-) (Ref # 26011A)	26011-0943	1
BATTERY,YTZ10S,12V 8.6AH (Ref # 26012)	26012-0564	1
HARNESS,MAIN (Ref # 26031)	26031-2117	1
HARNESS,MAIN (Ref # 26031A)	26031-2118	1
RELAY-ASSY,HEAD LAMP (Ref # 27002)	27002-0027	1
RELAY-ASSY (Ref # 27002A)	27002-1086	4
RELAY-ASSY,SIGNAL LAMP (Ref # 27002B)	27002-1097	1
HORN (Ref # 27003)	27003-0113	1
PAD,HEAT GUARD (Ref # 39156)	39156-0389	1
PAD,DIAG. CONNECTOR (Ref # 39156A)	39156-1886	1
PAD,DIAG/DONGLE (Ref # 39156B)	39156-1993	1
DIODE (Ref # 49018)	49018-0005	1
DIODE (Ref # 49018A)	49018-0007	2
TRIM (Ref # 53044)	53044-0018	1

2018 NINJA® ZX™ -10RR PARTS LIST

Chassis Electrical Equipment

ITEM NAME	PART NUMBER	QUANTITY
LABEL,FUSE BOX1 (Ref # 56030)	56030-0955	1
LABEL,FUSE BOX2 (Ref # 56030A)	56030-0956	1
NUT,FLANGED,6MM (Ref # 92015)	92015-1367	1
CLAMP,SPEED,L=80.5 (Ref # 92037)	92037-1903	1
BAND,202X3.6 (Ref # 92072)	92072-0782	1
BAND,L=148 (Ref # 92072A)	92072-3768	1
BOLT,FLANGED,6X16 (Ref # 92154)	92154-0551	1
BOLT,SOCKET,6X10 (Ref # 92154A)	92154-0774	1
BOLT,FLANGED,6X14 (Ref # 92154B)	92154-1864	4
BOLT-FLANGED,6X12 (Ref # 130)	130BA0612	1
BOLT-FLANGED,6X14 (Ref # 130A)	130BA0614	1
CLAMP,CLIP,DIA=20 (Ref # 92171)	92171-0068	2
CLAMP,BRAKE HOSE (Ref # 92171A)	92171-0316	2
CLAMP (Ref # 92171B)	92171-1279	1
SCREW,TAPPING,5X16 (Ref # 92172)	92172-0175	3
SCREW,TAPPING,5X10 (Ref # 92172A)	92172-0262	2
SCREW,TAPPING,5X10 (Ref # 92172B)	92172-0335	1
CLAMP,12MM DIA. (Ref # 92173)	92173-0736	1
CLAMP (Ref # 92173A)	92173-0742	1
CLAMP (Ref # 92173B)	92173-0791	1
CLAMP (Ref # 92173C)	92173-0861	1
CLAMP,68MM (Ref # 92173D)	92173-1009	2
CLAMP,RUBBER PLATE (Ref # 92173E)	92173-1229	4