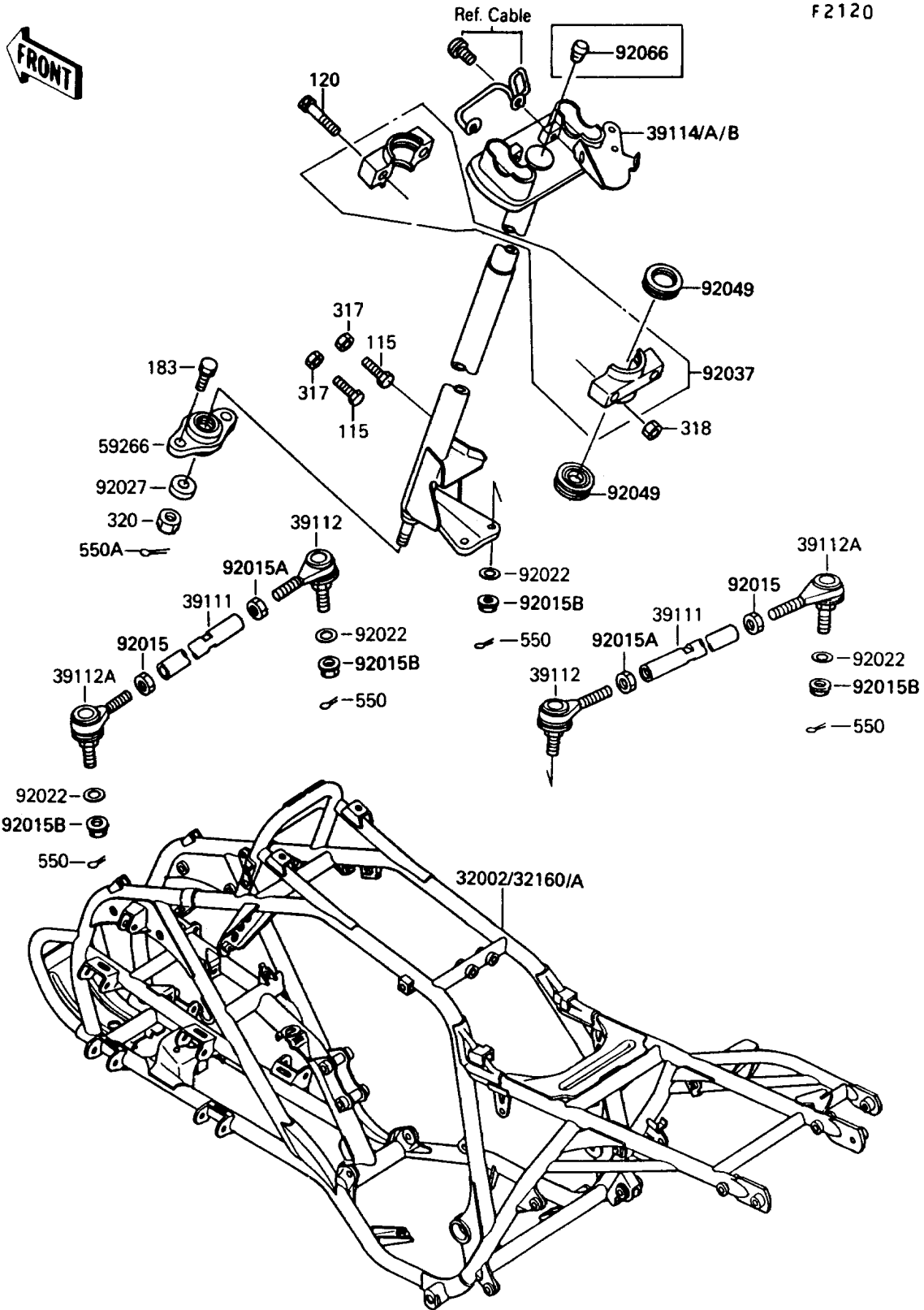


# 1992 Mojave 250 PARTS DIAGRAM

Frame

F2120



# 1992 Mojave 250 PARTS LIST

## Frame

| ITEM NAME                               | PART NUMBER | QUANTITY |
|---|-------------|----------|
| FRAME-COMP (Ref # 32160)                | 32160-1103  | 1        |
| ROD-TIE (Ref # 39111)                   | 39111-1069  | 2        |
| RODEND-TIE (Ref # 39112)                | 39112-1063  | 2        |
| RODEND-TIE (Ref # 39112A)               | 39112-1064  | 2        |
| SHAFT-COMP-STRG (Ref # 39114A)          | 39114-1069  | 1        |
| JOINT-BALL (Ref # 59266)                | 59266-1066  | 1        |
| NUT,LOCK,10MM (Ref # 92015)             | 92015-1460  | 2        |
| NUT,LOCK,10MM (Ref # 92015A)            | 92015-1494  | 2        |
| NUT,LOCK,FLANGED,10MM (Ref # 92015B)    | 92015-1717  | 4        |
| WASHER,10.5X20X1 (Ref # 92022)          | 92022-239   | 4        |
| COLLAR,10X21.3X7 (Ref # 92027)          | 92027-1817  | 1        |
| CLAMP,STEERING SHAFT (Ref # 92037)      | 92037-1839  | 1        |
| SEAL-OIL,SR7 25 34 7.8 NS (Ref # 92049) | 92049-1278  | 2        |
| PLUG (Ref # 92066)                      | 92066-1220  | 1        |
| BOLT-SMALL-UPSET (Ref # 115)            | 115H0830    | 2        |
| BOLT-SOCKET,8X50 (Ref # 120)            | 120P0850    | 2        |
| BOLT-UPSET-WS-SMALL (Ref # 183)         | 183G0822    | 2        |
| NUT-HEX-SMALL,8MM (Ref # 317)           | 317H0800    | 2        |
| NUT-HEX-SMALL,8MM (Ref # 318)           | 318B0800    | 2        |
| NUT-CASTLE (Ref # 320)                  | 320H1000    | 1        |
| PIN-COTTER,2.0X15 (Ref # 550)           | 550D2015    | 4        |
| PIN-COTTER,2.5X18 (Ref # 550A)          | 550D2518    | 1        |