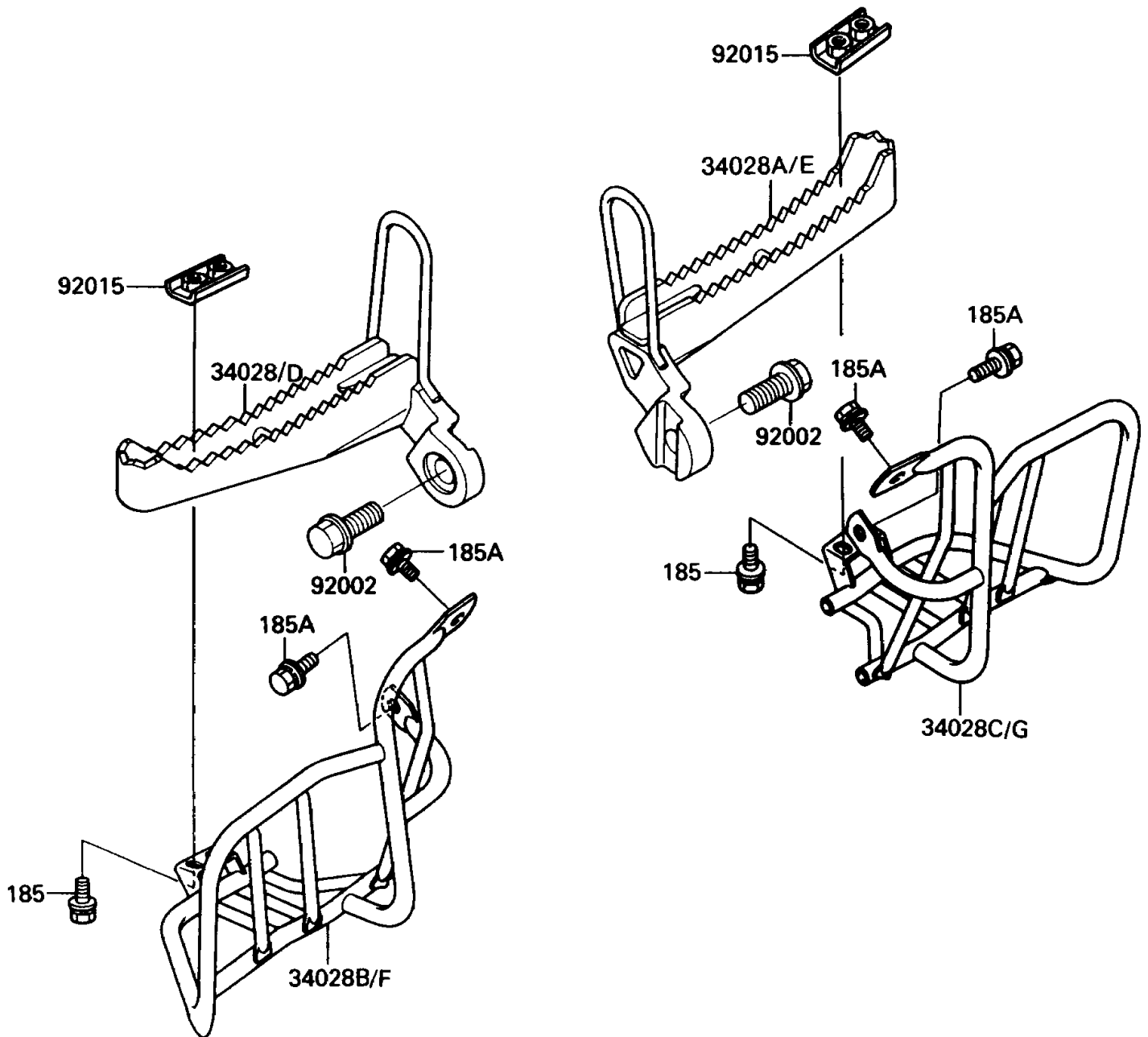


# 1989 Mojave 250 PARTS DIAGRAM

Step

F2160



# 1989 Mojave 250 PARTS LIST

Step

ITEM NAME	PART NUMBER	QUANTITY
STEP,LH (Ref # 34028)	34028-1241	1
STEP,RH (Ref # 34028A)	34028-1243	1
BOLT,FLANGED,14X25 (Ref # 92002)	92002-1767	2