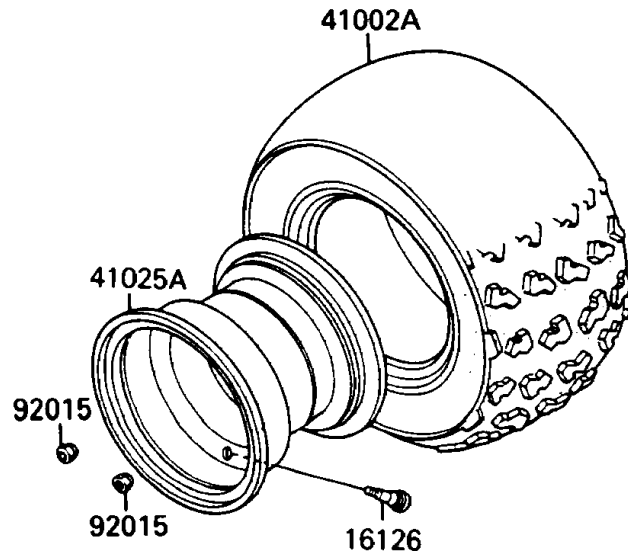
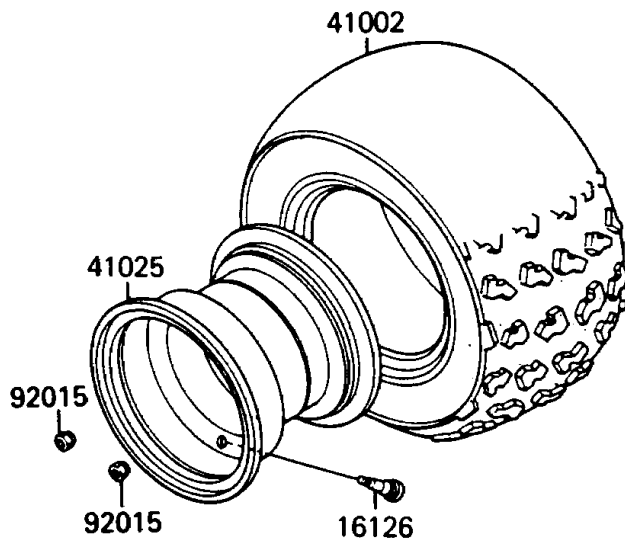


# 1989 Mojave 250 PARTS DIAGRAM

Tire

F2210



# 1989 Mojave 250 PARTS LIST

## Tire

ITEM NAME	PART NUMBER	QUANTITY
VALVE (Ref # 16126)	16126-4001	4
TIRE,FR,21X7.00-10,KT846(D) (Ref # 41002)	41002-1588	2
TIRE,RR,AT22X10-10,KT847M(D) (Ref # 41002A)	41002-1671	2
RIM,FR,10X5.5,J.WHITE (Ref # 41025)	41025-1150-8C	2
RIM,RR,10X8.5,J.WHITE (Ref # 41025A)	41025-1151-8C	2
NUT,LOCK,10MM (Ref # 92015)	92015-1808	16