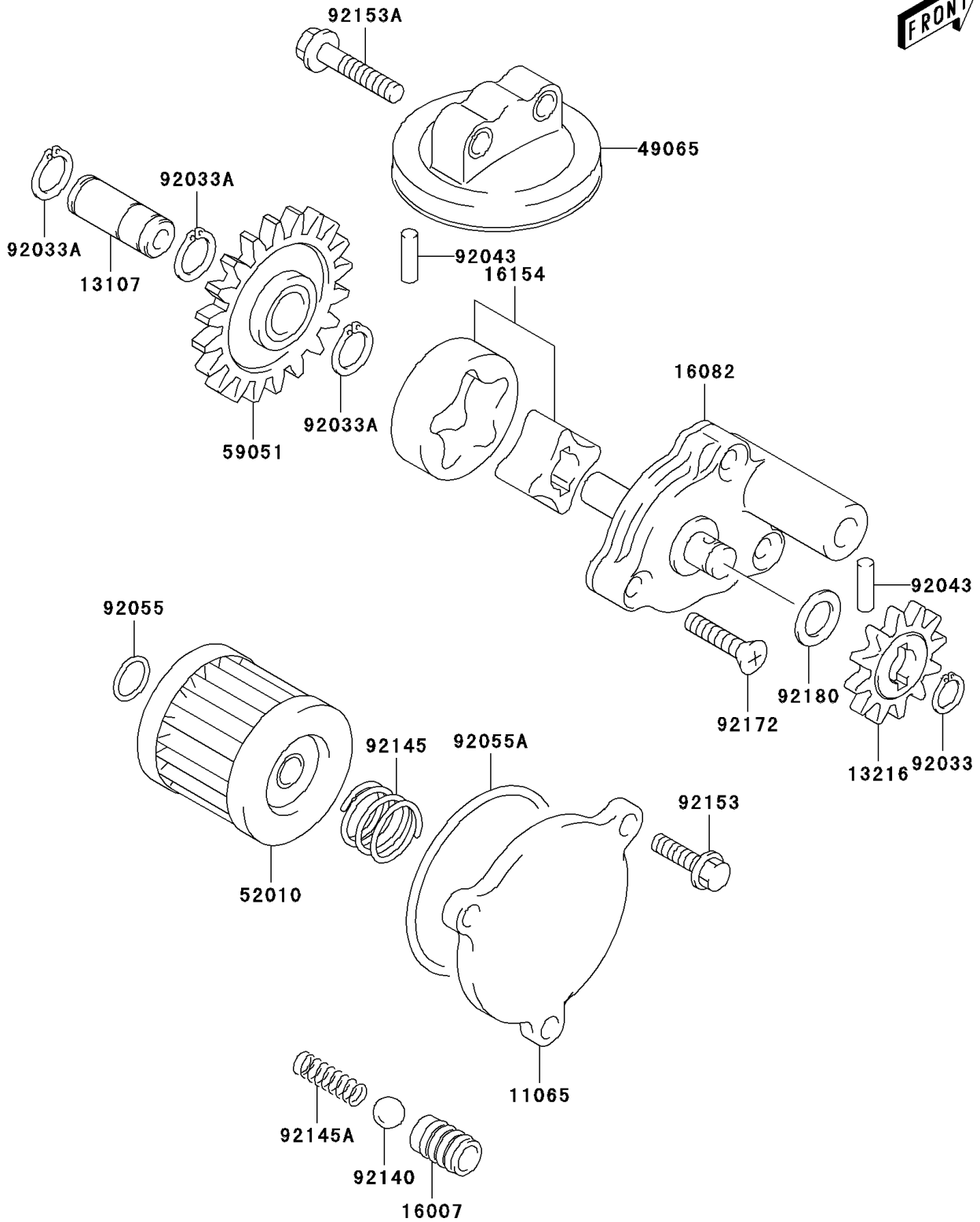


# 2004 KFX400 PARTS DIAGRAM

## Oil Pump/Oil Filter

E1710



## 2004 KFX400 PARTS LIST

### Oil Pump/Oil Filter

ITEM NAME	PART NUMBER	QUANTITY
CAP,OIL FILTER (Ref # 11065)	11065-S002	1
SHAFT,OIL PUMP IDLE GEAR (Ref # 13107)	13107-S004	1
GEAR-COMP,OIL PUMP (Ref # 13216)	13216-S012	1
SEAT-SPRING (Ref # 16007)	16007-S006	1
PUMP-ASSY-OIL (Ref # 16082)	16082-S004	1
ROTOR-PUMP (Ref # 16154)	16154-S001	1
FILTER-OIL (Ref # 49065)	49065-S004	1
ELEMENT-OIL FILTER (Ref # 52010)	52010-S004	1
GEAR-SPUR,OIL PUMP (Ref # 59051)	59051-S005	1
RING-SNAP (Ref # 92033)	92033-S001	1
RING-SNAP (Ref # 92033A)	92033-S023	3
PIN,4X15.8 (Ref # 92043)	92043-S007	2
RING-O,D=1.9 (Ref # 92055)	92055-S005	1
RING-O,D=2.4 (Ref # 92055A)	92055-S010	1
BALL,OIL CHECK VALVE (Ref # 92140)	92140-S003	1
SPRING,OIL FILTER CAP (Ref # 92145)	92145-S004	1
SPRING,OIL CHECK VALVE (Ref # 92145A)	92145-S090	1
BOLT (Ref # 92153)	92153-S001	3
BOLT (Ref # 92153A)	92153-S067	2
SCREW,OIL PUMP (Ref # 92172)	92172-S167	3
SHIM,10X18X0.5 (Ref # 92180)	92180-S001	1