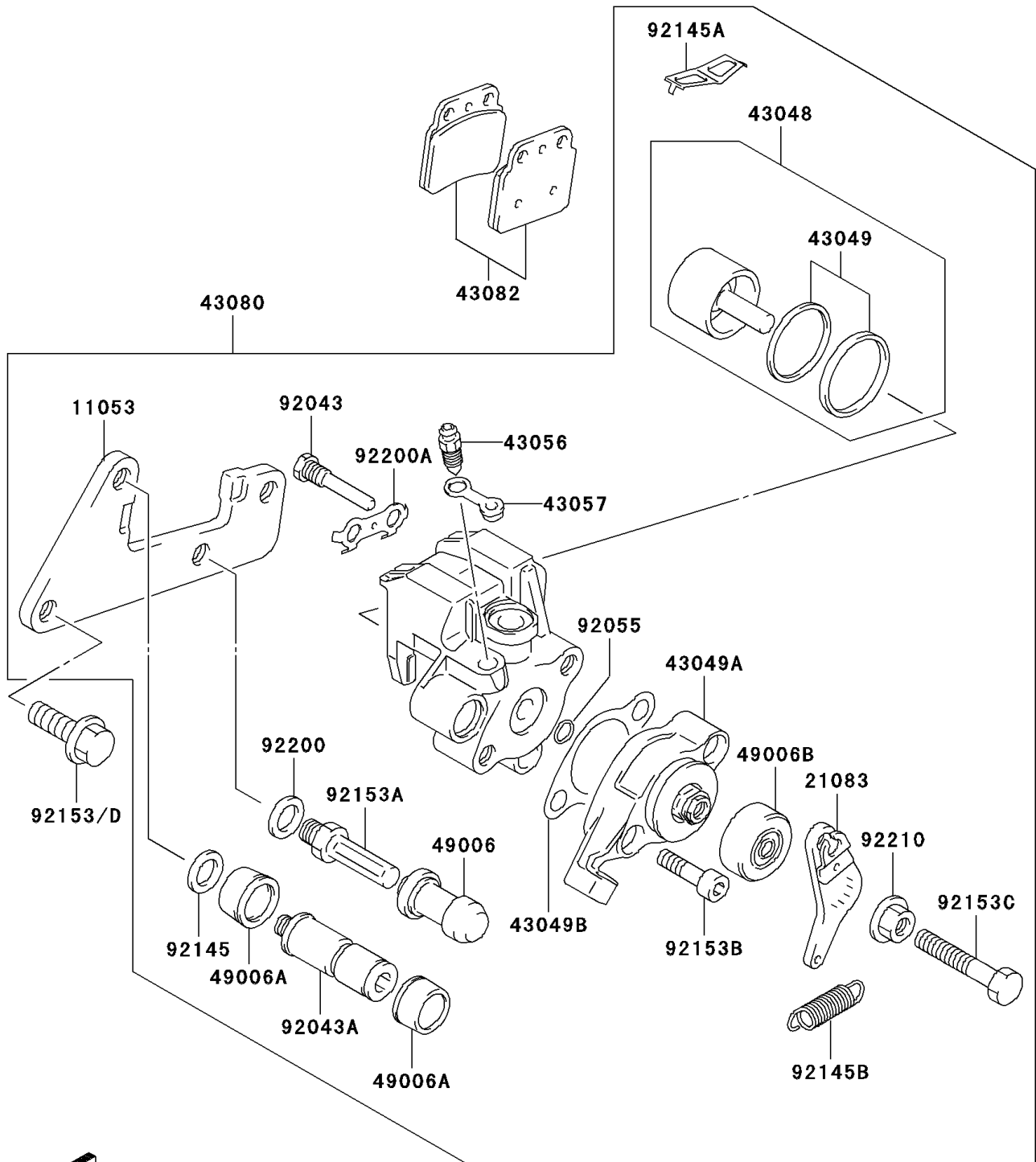


2004 KFX400 PARTS DIAGRAM

Rear Brake(A2/A3)

F2294A



2004 KFX400 PARTS LIST

Rear Brake(A2/A3)

ITEM NAME	PART NUMBER	QUANTITY
BRACKET (Ref # 11053)	11053-S020	1
ARM (Ref # 21083)	21083-S002	1
PISTON-CALIPER (Ref # 43048)	43048-S005	1
PACKING,PISTON (Ref # 43049)	43049-S008	1
PACKING (Ref # 43049A)	43049-S009	1
PACKING (Ref # 43049B)	43049-S010	1
BREATHER (Ref # 43056)	43056-S002	1
CAP-BREATHER (Ref # 43057)	43057-S002	1
CALIPER-SUB-ASSY,RR (Ref # 43080)	43080-S005	1
PAD-ASSY-BRAKE (Ref # 43082)	43082-S007	1
BOOT (Ref # 49006)	49006-S007	1
BOOT (Ref # 49006A)	49006-S021	2
BOOT (Ref # 49006B)	49006-S025	1
PIN (Ref # 92043)	92043-S043	2
PIN (Ref # 92043A)	92043-S044	1
RING-O (Ref # 92055)	92055-S070	1
SPRING (Ref # 92145)	92145-S105	1
SPRING,PAD (Ref # 92145A)	92145-S106	1
SPRING (Ref # 92145B)	92145-S108	1
BOLT,REAR CALIPER (Ref # 92153)	92153-S265	2
BOLT (Ref # 92153A)	92153-S297	1
BOLT (Ref # 92153B)	92153-S308	2
BOLT (Ref # 92153C)	92153-S375	1
WASHER (Ref # 92200)	92200-S159	1
WASHER (Ref # 92200A)	92200-S160	1
NUT (Ref # 92210)	92210-S111	1