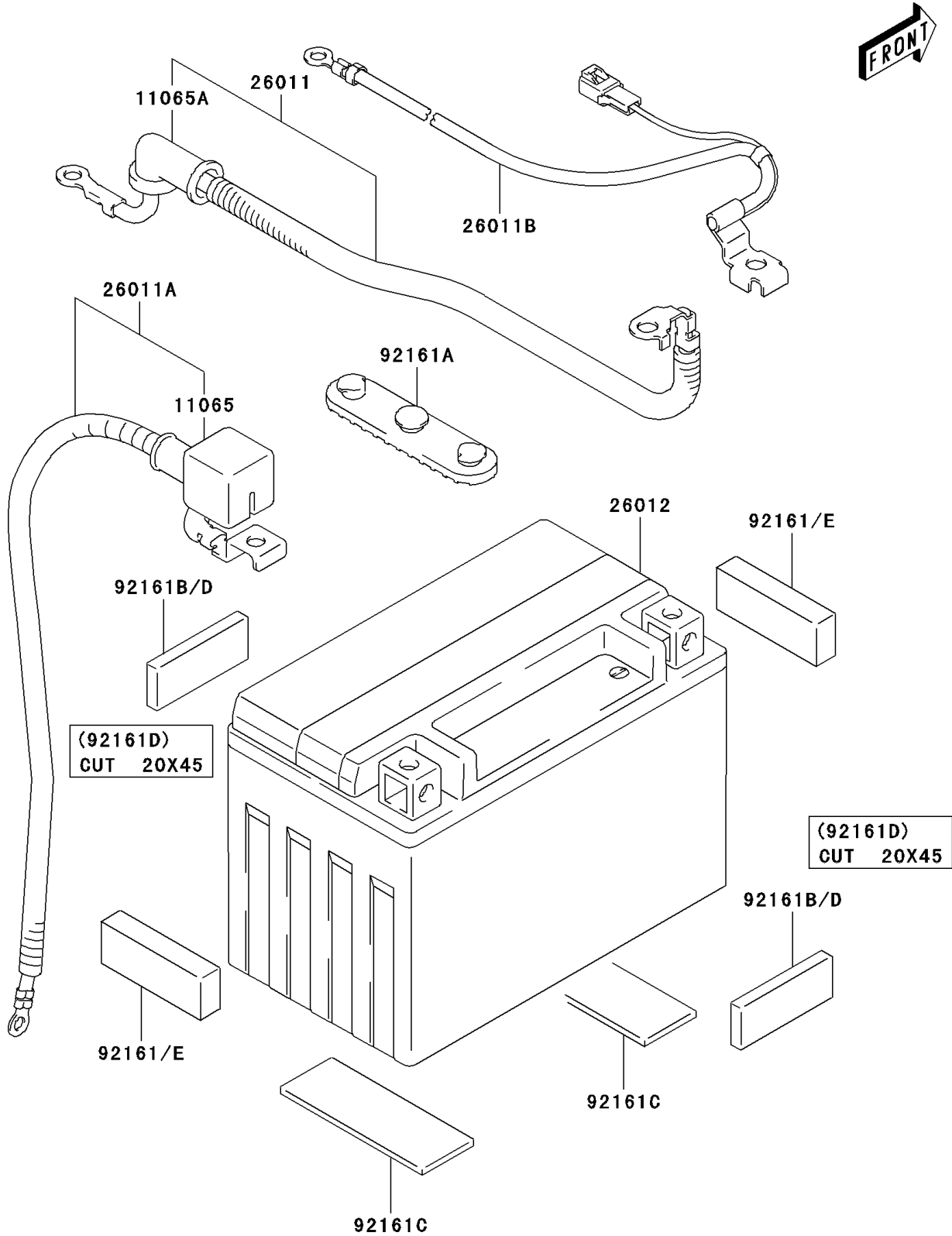


2004 KFX400 PARTS DIAGRAM

Battery

F2761



2004 KFX400 PARTS LIST

Battery

ITEM NAME	PART NUMBER	QUANTITY
CAP,BATTERY PLUS (Ref # 11065)	11065-S037	1
CAP,STARTER MOTOR TERMINAL (Ref # 11065A)	11065-S040	1
WIRE-LEAD,STARTER MOTOR (Ref # 26011)	26011-S013	1
WIRE-LEAD,BATTERY(+) (Ref # 26011A)	26011-S014	1
WIRE-LEAD,BATTERY(-) (Ref # 26011B)	26011-S015	1
BATTERY,YTX9-BS,12V 8AH (Ref # 26012)	26012-S005	1
DAMPER,20X50X11 (Ref # 92161)	92161-S094	2
DAMPER,BATTERY (Ref # 92161A)	92161-S096	1
DAMPER,20X45X6 (Ref # 92161B)	92161-S097	2
DAMPER,27X80X3 (Ref # 92161C)	92161-S098	2