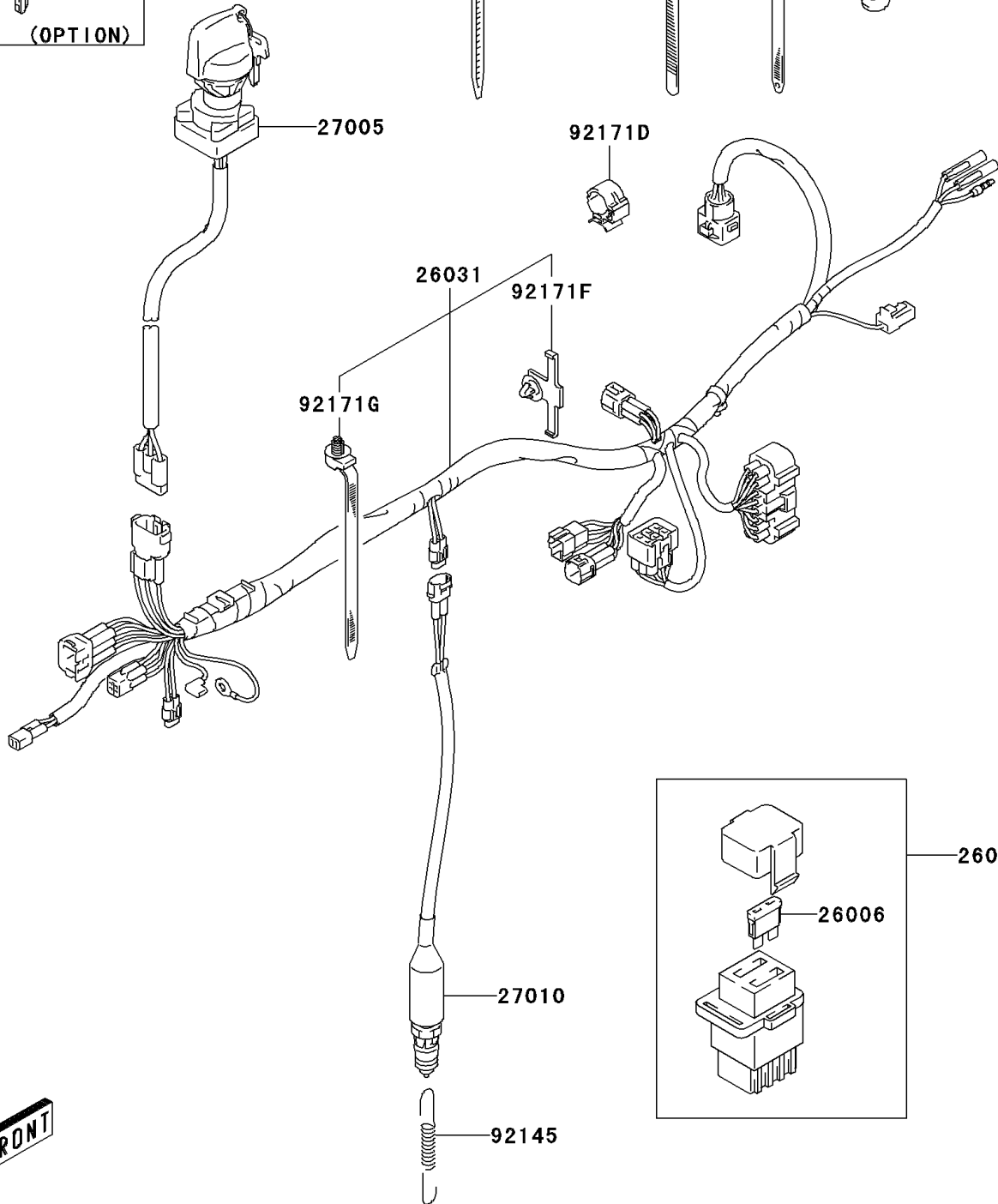
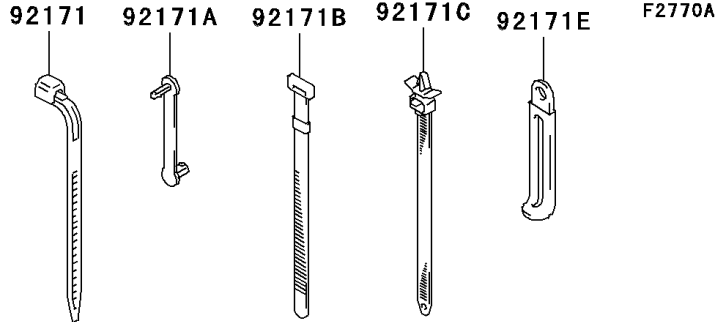
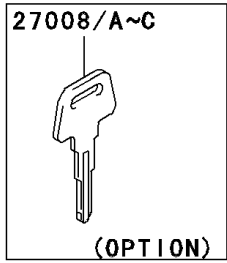


2004 KFX400 PARTS DIAGRAM

Ignition Switch(A2)



2004 KFX400 PARTS LIST

Ignition Switch(A2)

ITEM NAME	PART NUMBER	QUANTITY
FUSE-ASSY (Ref # 26004)	26004-S003	1
FUSE,10A (Ref # 26006)	26006-S007	1
HARNESS (Ref # 26031)	26031-S007	1
SWITCH-ASSY-IGNITION (Ref # 27005)	27005-S005	1
KEY-LOCK,BLANK,(TYPE:C) (Ref # 27008)	27008-S002	1
KEY-LOCK,BLANK,(TYPE:D) (Ref # 27008A)	27008-S003	1
KEY-LOCK,BLANK(TYPE:E) (Ref # 27008B)	27008-S006	1
KEY-LOCK,BLANK(TYPE:F) (Ref # 27008C)	27008-S007	1
SWITCH,STOP LAMP (Ref # 27010)	27010-S026	1
SPRING,STOP LAMP SWITCH (Ref # 92145)	92145-S150	1
CLAMP,L=125 (Ref # 92171)	92171-S014	1
CLAMP,L=33 (Ref # 92171A)	92171-S034	3
CLAMP,L=120 (Ref # 92171B)	92171-S035	2
CLAMP,L=90 (Ref # 92171C)	92171-S051	1
CLAMP,WIRING HARNESS (Ref # 92171D)	92171-S095	1
CLAMP,L=135 (Ref # 92171E)	92171-S096	1
CLAMP (Ref # 92171F)	92171-S134	1
CLAMP (Ref # 92171G)	92171-S135	1