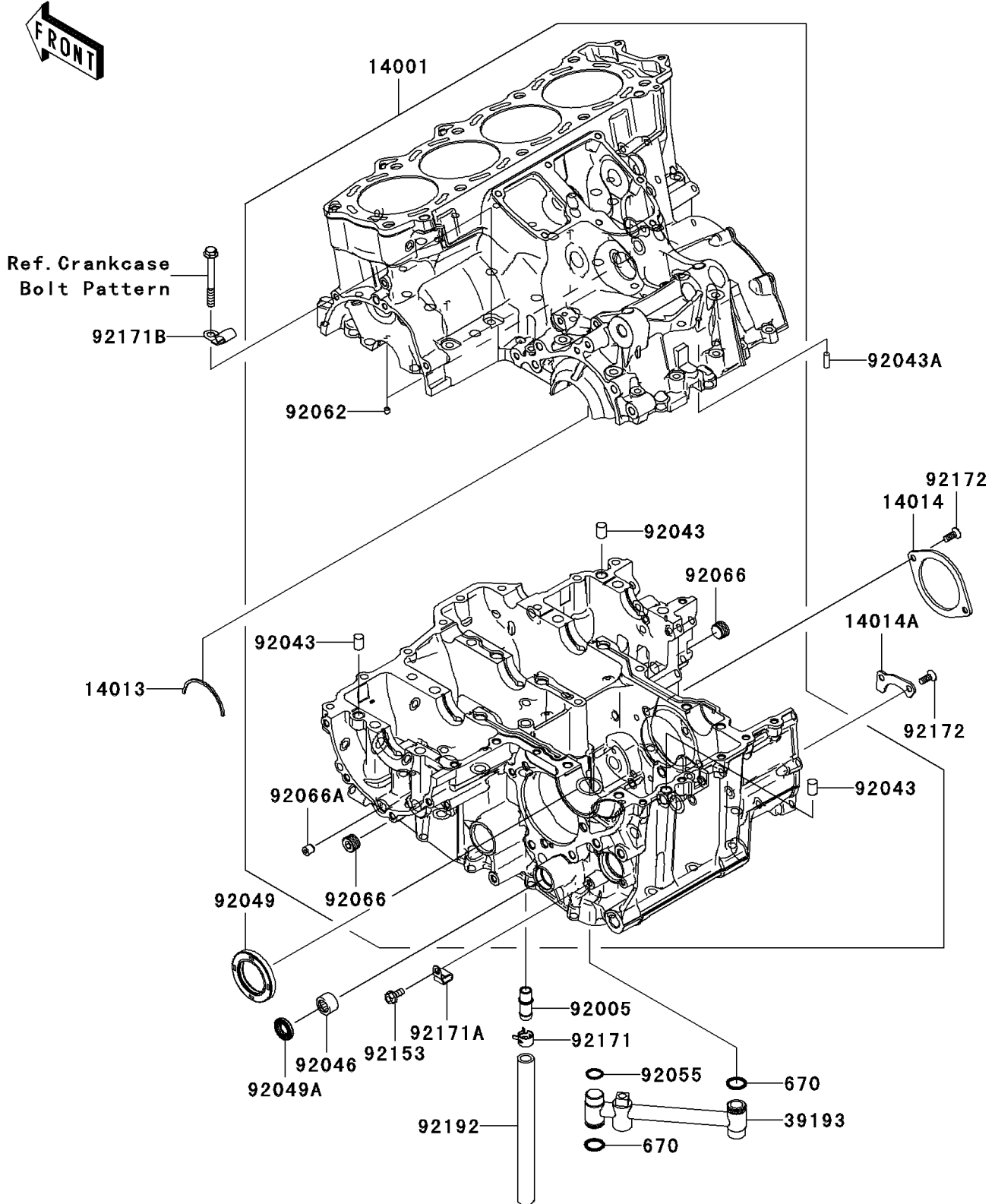


# 2006 Ninja® ZX™-14 PARTS DIAGRAM

Crankcase

E1411



## 2006 Ninja® ZX™-14 PARTS LIST

### Crankcase

| ITEM NAME                              | PART NUMBER | QUANTITY |
|--|-------------|----------|
| SET-CRANKCASE (Ref # 14001)            | 14001-0089  | 1        |
| RING-POSITION (Ref # 14013)            | 14013-1051  | 1        |
| PLATE-POSITION (Ref # 14014)           | 14014-0022  | 1        |
| PLATE-POSITION (Ref # 14014A)          | 14014-0023  | 1        |
| PIPE-OIL (Ref # 39193)                 | 39193-0034  | 1        |
| O RING,16MM (Ref # 670)                | 670D2016    | 2        |
| FITTING (Ref # 92005)                  | 92005-0043  | 1        |
| PIN (Ref # 92043)                      | 92043-1506  | 3        |
| PIN,6X16 (Ref # 92043A)                | 92043-1690  | 1        |
| BEARING-NEEDLE,7E-HK1412 (Ref # 92046) | 92046-037   | 1        |
| SEAL-OIL,TC38 57 8 (Ref # 92049)       | 92049-0068  | 1        |
| SEAL-OIL,TC14245 (Ref # 92049A)        | 92049-1520  | 1        |
| RING-O,13.8X1.9 (Ref # 92055)          | 92055-0065  | 1        |
| NOZZLE (Ref # 92062)                   | 92062-0010  | 4        |
| PLUG (Ref # 92066)                     | 92066-0064  | 2        |
| PLUG (Ref # 92066A)                    | 92066-0066  | 1        |
| BOLT-FLANGED,6X14 (Ref # 92153)        | 92153-1571  | 1        |
| CLAMP (Ref # 92171)                    | 92171-0533  | 1        |
| CLAMP (Ref # 92171A)                   | 92171-0534  | 1        |
| CLAMP (Ref # 92171B)                   | 92171-0689  | 1        |
| SCREW,6X16 (Ref # 92172)               | 92172-0218  | 4        |
| TUBE,11X17X180 (Ref # 92192)           | 92192-0254  | 1        |